

EPOS4 Disk 60/12

Hardware Reference

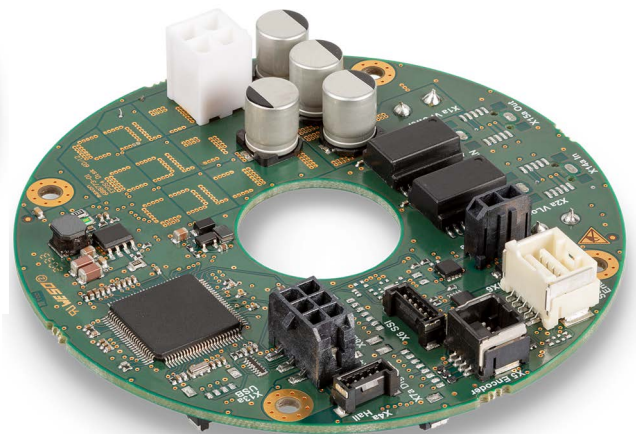
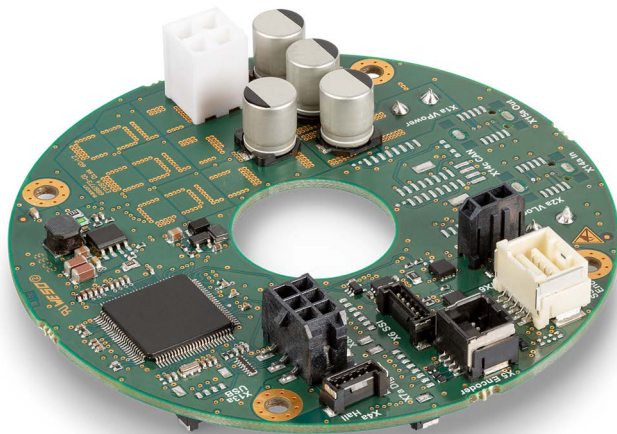


TABLE OF CONTENTS

1	ABOUT	5
1.1	About this Document.	5
1.2	About the Device.	8
1.3	About the Safety Precautions	9
2	SPECIFICATIONS	11
2.1	Technical Data	11
2.2	Thermal Data	13
2.3	Limitations.	14
2.4	Dimensional Drawings	15
2.5	Standards	17
3	SETUP	19
3.1	Generally applicable Rules	19
3.2	Cabling	20
3.3	Connections	22
3.3.1	Power Supply (X1; X1a)	26
3.3.2	Logic Supply (X2; X2a)	28
3.3.3	Motor (X3)	29
3.3.4	Hall Sensor (X4; X4a)	30
3.3.5	Encoder/Sensor (X5/X6)	32
3.3.6	Encoder (X5)	34
3.3.7	SSI (X6)	37
3.3.8	Digital I/O (X7; X7a)	39
3.3.9	Analog I/O (X8; X8a)	42
3.3.10	USB (X13; X13a)	44
3.3.11	CAN IN (X14; X14a) & CAN OUT (X15; X15a)	45
3.3.12	EtherCAT IN (X14; X14a) & EtherCAT OUT (X15; X15a)	47

READ THIS FIRST

These instructions are intended for qualified technical personnel. Prior commencing with any activities...

- you must carefully read and understand this manual and
- you must follow the instructions given therein.

The EPOS4 Disk 60/12 positioning controllers are considered as partly completed machinery according to EU Directive 2006/42/EC, Article 2, Clause (g) and are intended to be incorporated into or assembled with other machinery or other partly completed machinery or equipment.

Therefore, you must not put the device into service,...

- unless you have made completely sure that the other machinery fully complies with the EU directive's requirements!
- unless the other machinery fulfills all relevant health and safety aspects!
- unless all respective interfaces have been established and fulfill the herein stated requirements!

3.3.13 Brake (X16)	48
3.4 Prefab Cable Assemblies	49
3.5 DIP Switch Configuration (SW1)	56
3.5.1 CAN ID (Node-ID) / DEV ID	56
3.5.2 CAN automatic Bit Rate Detection	58
3.5.3 CAN Bus Termination	58
3.6 Status Indicators	59
4 WIRING	63
4.1 Possible Combinations to connect a Motor	65
4.2 Main Wiring Diagrams	67
4.3 Excerpts	69
LIST OF FIGURES	73
LIST OF TABLES	75
INDEX	77

••page intentionally left blank••

1 ABOUT

1.1 About this Document

1.1.1 Intended Purpose

Use the document to...
–stay safe,
–be fast,
–end up with set up and ready-to-go equipment.

The purpose of the present document is to familiarize you with the EPOS4 Disk 60/12 positioning controller. It will highlight the tasks for safe and adequate installation and/or commissioning. Follow the described instructions ...

- to avoid dangerous situations,
- to keep installation and/or commissioning time at a minimum,
- to increase reliability and service life of the described equipment.

The present document is part of a documentation set and contains performance data and specifications, information on fulfilled standards, details on connections and pin assignment, and wiring examples. The below overview shows the documentation hierarchy and the interrelationship of its individual parts:

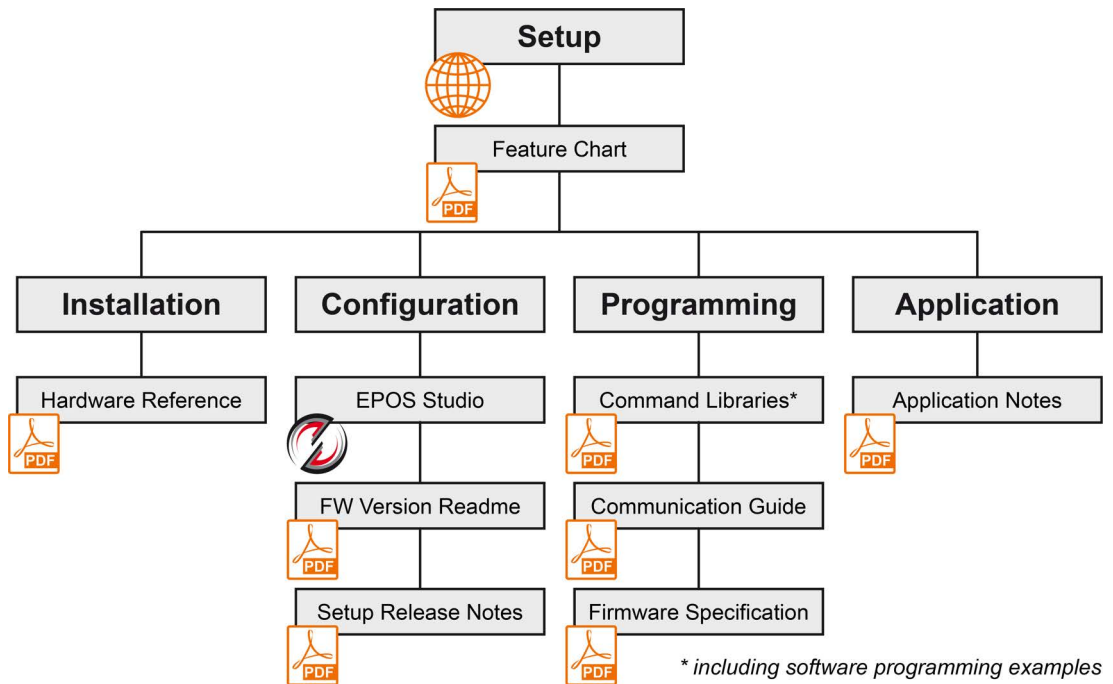


Figure 1-1 Documentation structure

1.1.2 Target Audience

The present document is intended for trained and skilled personnel. It conveys information on how to understand and fulfill the respective work and duties.

1.1.3 How to use

Throughout the document, the following notations and codes will be used.

Notation	Meaning
(n)	refers to an item (such as part numbers, list items, etc.)
→	denotes “see”, “see also”, “take note of” or “go to”

Table 1-1 Notation used

1.1.4 Symbols & Signs

In the course of the present document, the following symbols and signs will be used.







Type	Symbol	Meaning	
Safety alert	 (typical)	DANGER	Indicates an imminent hazardous situation . If not avoided, it will result in death or serious injury .
		WARNING	Indicates a potential hazardous situation . If not avoided, it can result in death or serious injury .
		CAUTION	Indicates a probable hazardous situation or calls the attention to unsafe practices. If not avoided, it may result in injury .
Prohibited action	 (typical)	Indicates a dangerous action. Hence, you must not!	
Mandatory action	 (typical)	Indicates a mandatory action. Hence, you must!	
Information		Requirement / Note / Remark	Indicates an activity you must perform prior continuing, or gives information on a particular item you need to observe.
		Best practice	Indicates an advice or recommendation on the easiest and best way to further proceed.
		Material Damage	Indicates information particular to possible damage of the equipment.

Table 1-2 Symbols and signs

1.1.5 Trademarks and Brand Names

For easier legibility, registered brand names are listed below and will not be further tagged with their respective trademark. It must be understood that the brands (the list below is not necessarily concluding) are protected by copyright and/or other intellectual property rights even if their legal trademarks are omitted in the later course of this document.

Brand Name	Trademark Owner
Adobe® Reader®	© Adobe Systems Incorporated, USA-San Jose, CA
CANopen® CiA®	© CiA CAN in Automation e.V, DE-Nuremberg
EnDat	© DR. JOHANNES HEIDENHAIN GmbH, DE-Traunreut
EtherCAT®	© EtherCAT Technology Group, DE-Nuremberg, licensed by Beckhoff Automation GmbH, DE-Verl
ix Industrial®	© HARTING AG & Co. KG, DE-Espelkamp
Linux®	© Linus Torvalds (The Linux Foundation, USA-San Francisco CA)
Micro-Fit™ Micro-Lock™ Mini-Fit Plus™	© Molex, USA-Lisle, IL
SMD NANO2®	© Littelfuse, USA-Chicago, IL
Windows®	© Microsoft Corporation, USA-Redmond, WA

Table 1-3 Brand names and trademark owners

1.1.6 Copyright

© 2023 maxon. All rights reserved. Any use, in particular reproduction, editing, translation, and copying, without prior written approval is not permitted (contact: maxon international ltd., Brünigstrasse 220, CH-6072 Sachseln, +41 41 666 15 00, www.maxongroup.com). Infringements will be prosecuted under civil and criminal law. The mentioned trademarks belong to their respective owners and are protected under trademark laws. Subject to change without prior notice.

CCMC | EPOS4 Disk 60/12 Hardware Reference | Edition 2023-07 | DocID rel11751

1.2 About the Device

Capabilities of the device, included features, and supported motors.

maxon's EPOS4 Disk 60/12 is a round-sized, full digital, smart positioning control unit with a center hole for cable feed-trough. Its high power density allows flexible use for brushed DC and brushless EC (BLDC) motors up to approximately 720 Watts with various feedback options, such as Hall sensors, incremental encoders as well as absolute sensors in a multitude of drive applications.

The device provides motor and sensor connections and power, communication, and I/O connections. The center hole provides room for the implementation of power and communication lines.

The EPOS4 Disk 60/12 is specially designed to be commanded and controlled as a slave node in a CANopen or an EtherCAT network. In addition, it can be operated via any USB communication port of a Windows or Linux workstation.

Latest technology, such as field-oriented control (FOC), acceleration/velocity feed forward, or dual loop, in combination with highest control cycle rates allow sophisticated, ease-of-use motion control.

Apart from two different versions featuring either a CAN or EtherCAT interface, the device comes in different variants in respect to the mounting location of their connectors:

- With the **double-side version**, the connectors for motor and sensor are located on one side while those for power and communication are located on the opposite side. This offers the choice for an application design with smart cable routing and easy accessible connectors.
- With the **single-side version**, all connectors are located on the same side. This allows an ultra-compact integration into the application design and opens the way to mount the unit on a heat sink.

Controller	Order number	Mounting type
EPOS4 Disk 60/12 CAN	688775	Double-side mounted connectors
EPOS4 Disk 60/12 CAN SSC	709859	Single-side mounted connectors
EPOS4 Disk 60/12 EtherCAT	688777	Double-side mounted connectors
EPOS4 Disk 60/12 EtherCAT SSC	709862	Single-side mounted connectors

Table 1-4 Available versions and variants

For easier legibility, in the later course of this document naming of components will be as follows:

Short form	Meaning
Disk	any type of EPOS4 Disk 60/12 version
Disk CAN	EPOS4 Disk 60/12 CAN
Disk EtherCAT	EPOS4 Disk 60/12 EtherCAT
EPOS4	all controller versions (Module and Compact) as well as other EPOS4 positioning controllers as a whole

Table 1-5 Abbreviations



Find the latest edition of the present document as well as additional documentation and software for EPOS4 positioning controllers also on the Internet: →<http://epos.maxongroup.com>

In addition, you may wish to browse the EPOS video library. It features video tutorials that provide easy to follow instructions on how to get started with «EPOS Studio» and shows you tips and tricks on how to setup communication interfaces, and so on. Explore on Vimeo: →<https://vimeo.com/album/4646388>

1.3 About the Safety Precautions

Keep in mind:
Safety first!
Always!

- Make sure that you have read and understood the note “READ THIS FIRST” on page A-2!
- Do not engage with any work unless you possess the stated skills (→chapter “1.1.2 Target Audience” on page 1-5)!
- Refer to →chapter “1.1.4 Symbols & Signs” on page 1-6 to understand the subsequently used indicators!
- You must observe any regulation applicable in the country and/or at the site of implementation with regard to health and safety/accident prevention and/or environmental protection!



DANGER

High voltage and/or electrical shock

Touching live wires causes death or serious injuries!

- Consider any power cable as connected to live power, unless having proven the opposite!
- Make sure that neither end of cable is connected to live power!
- Make sure that power source cannot be engaged while work is in process!
- Obey lock-out/tag-out procedures!
- Make sure to securely lock any power engaging equipment against unintentional engagement and tag it with your name!



Requirements

- Make sure that all associated devices and components are installed according to local regulations.
- Be aware that, by principle, an electronic apparatus cannot be considered fail-safe. Therefore, you must make sure that any machine/apparatus has been fitted with independent monitoring and safety equipment. If the machine/apparatus should break down, if it is operated incorrectly, if the control unit breaks down or if the cables break or get disconnected, etc., the complete drive system must return – and be kept – in a safe operating mode.
- Be aware that you are not entitled to perform any repair on components supplied by maxon.



Electrostatic sensitive device (ESD)

- Wear working cloth and use equipment in compliance with ESD protective measures.
- Handle device with extra care.

••page intentionally left blank••

2 SPECIFICATIONS

2.1 Technical Data

	EPOS4 Disk 60/12 CAN (688775) EPOS4 Disk 60/12 CAN SSC (709859)	EPOS4 Disk 60/12 EtherCAT (688777) EPOS4 Disk 60/12 EtherCAT SSC (709862)
Electrical Rating	Nominal power supply voltage $+V_{CC}$ [a]	12...60 VDC
	Nominal logic supply voltage $+V_C$	12...60 VDC
	Absolute supply voltage $+V_{min}$ / $+V_{max}$	10 VDC / 61 VDC
	Output voltage (max.)	$0.9 \times +V_{CC}$
	Output current I_{cont} / I_{max} (<5 s)	12 A / 36 A
	Pulse Width Modulation frequency	50 kHz
	Sampling rate PI current controller	25 kHz (40 μ s)
	Sampling rate PI speed controller	2.5 kHz (400 μ s)
	Sampling rate PID positioning controller	2.5 kHz (400 μ s)
	Sampling rate analog input	2.5 kHz (400 μ s)
	Max. efficiency	98% (→Figure 2-3)
	Max. speed EC motor (block)	100'000 rpm (1 pole pair)
	Max. speed EC motor (sinusoidal)	50'000 rpm (1 pole pair)
	Built-in motor choke	—
Inputs & Outputs	Digital Input 1 (general purpose) Digital Input 2 (general purpose) Digital Input 3 (general purpose) Digital Input 4 (general purpose)	Logic: +2.1...+36 VDC
	Digital Output 1 (general purpose) Digital Output 2 (general purpose)	max. 36 VDC / $I_L \leq 500$ mA (open drain with internal pull-up)
	High-Speed Digital Output 2 (Holding Brake only)	configurable, max. $+V_{CC}$ [a] / $I_L \leq 700$ mA (PWM frequency 25 kHz)
	Analog Input 1 Analog Input 2	Resolution 12-bit, -10...+10 V, 10 kHz, differential
	Analog Output 1	Resolution 12-bit, -4...+4 V, 25 kHz, referenced to GND
	Digital Hall sensor signals H1, H2, H3	+2.0...+24 VDC (internal pull-up)
	Digital incremental encoder signals A, A', B, B', I, I'	EIA RS422, max. 6.25 MHz

Continued on next page.

EPOS4 Disk 60/12 CAN (688775) EPOS4 Disk 60/12 CAN SSC (709859)		EPOS4 Disk 60/12 EtherCAT (688777) EPOS4 Disk 60/12 EtherCAT SSC (709862)		
Inputs & Outputs (continued)	Sensor signals (choice between multiple functions)	EIA RS422, 0.4...2 MHz, configurable		
	<ul style="list-style-type: none"> SSI absolute encoder signals High-speed digital input 4 and High-speed digital output 1 	EIA RS422, max. 6.25 MHz		
Voltage Outputs	Sensor supply voltage V_{Sensor}	+5 VDC / $I_L \leq 100$ mA		
	Auxiliary output voltage V_{Aux}	+5 VDC / $I_L \leq 145$ mA		
Motor Connections	DC motor	+ Motor, - Motor		
	EC motor	Motor winding 1, Motor winding 2, Motor winding 3		
Interfaces		Disk CAN	Disk EtherCAT	
	USB 2.0 / USB 3.0	Full Speed	Full Speed	
	CAN	max. 1 Mbit/s	—	
	EtherCAT	—	Full duplex (100 Mbit/s) as to IEEE 802.3 100 Base T	
Status Indicators		Disk CAN	Disk EtherCAT	
	Device status	Operation (green) Error (red)	Operation (green) Error (red)	
	NET Status	—	RUN state (green) Error (red)	
	NET Port	—	Link activity (green)	
Physical		Disk CAN	Disk EtherCAT	
	Weight	approx. 43 g	approx. 45 g	
	Dimensions (D outside/center hole x H)	Ø90/24 x 27.6 mm (688775) Ø90/24 x 17.6 mm (709859)	Ø90/24 x 27.6 mm (688777) Ø90/24 x 17.6 mm (709862)	
	Mounting	4 mounting holes for M3 screws		
Environment	Temperature	Operation	-30...+50 °C	-30...+45 °C
		Extended range [b]	+50...+75 °C; Derating: -0.480 A/°C (→ Figure 2-2)	+45...+70 °C; Derating: -0.480 A/°C (→ Figure 2-2)
		Storage	-40...+85 °C	
	Altitude [c]	Operation	0...10'000 m MSL	0...6'000 m MSL
		Extended range [b]	—	6'000...10'000 m MSL Derating → Figure 2-2
	Humidity	5...90% (condensation not permitted)		

[a] Minimal power supply voltage $+V_{CC}$ must be equal or greater than the required holding brake supply voltage.

[b] Operation within the extended range is permitted. However, a respective derating (declination of output current I_{cont}) as to the stated values will apply.

[c] Operating altitude in meters above Mean Sea Level, MSL.

Table 2-6 Technical data

2.2 Thermal Data

2.2.1 Derating of Output Current



Mandatory operation within the specified limits

Operation within the stated derating specifications is mandatory. Exceeding ambient temperatures beyond the specified limits can lead to thermal overload even at low output currents.

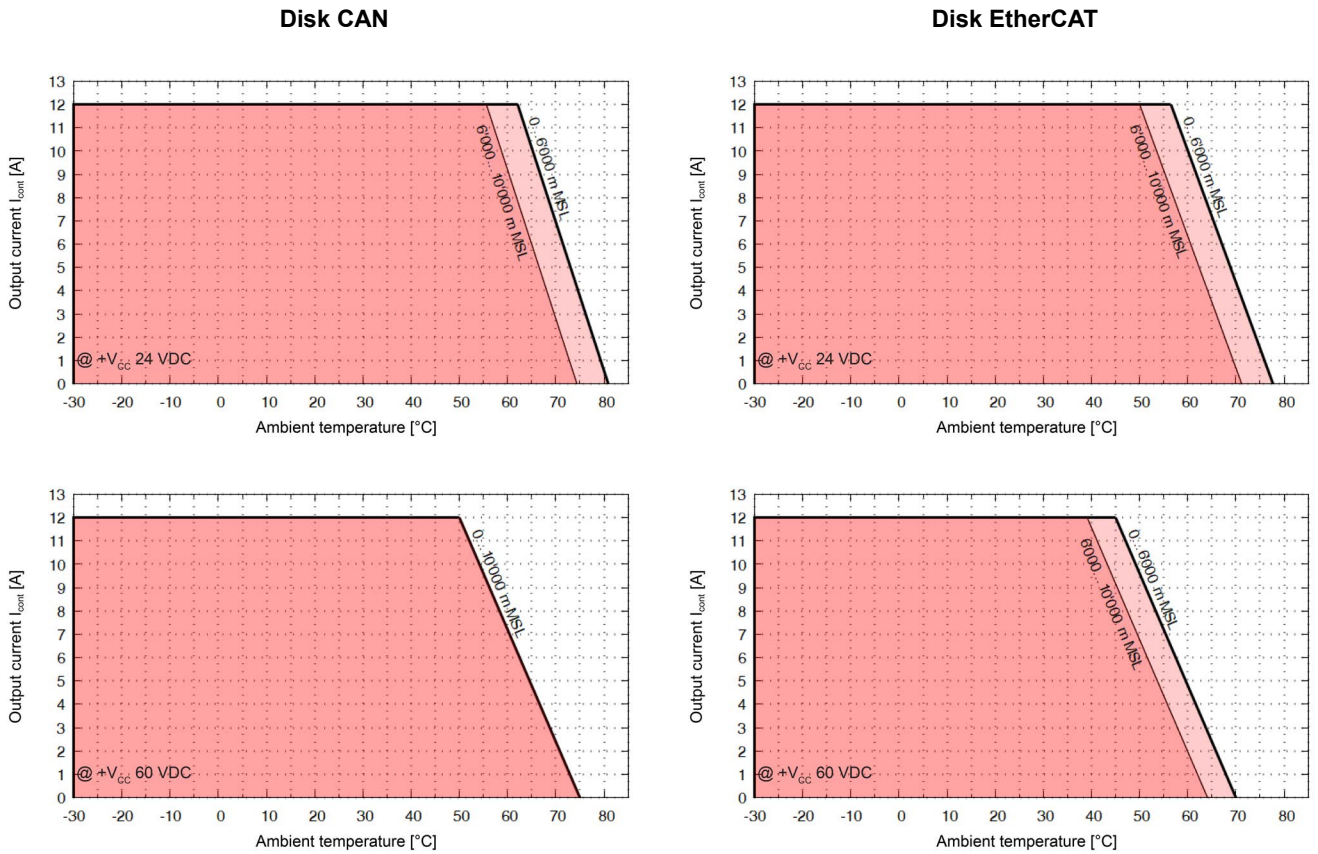


Figure 2-2 Derating of output current

2.2.2 Power Dissipation and Efficiency

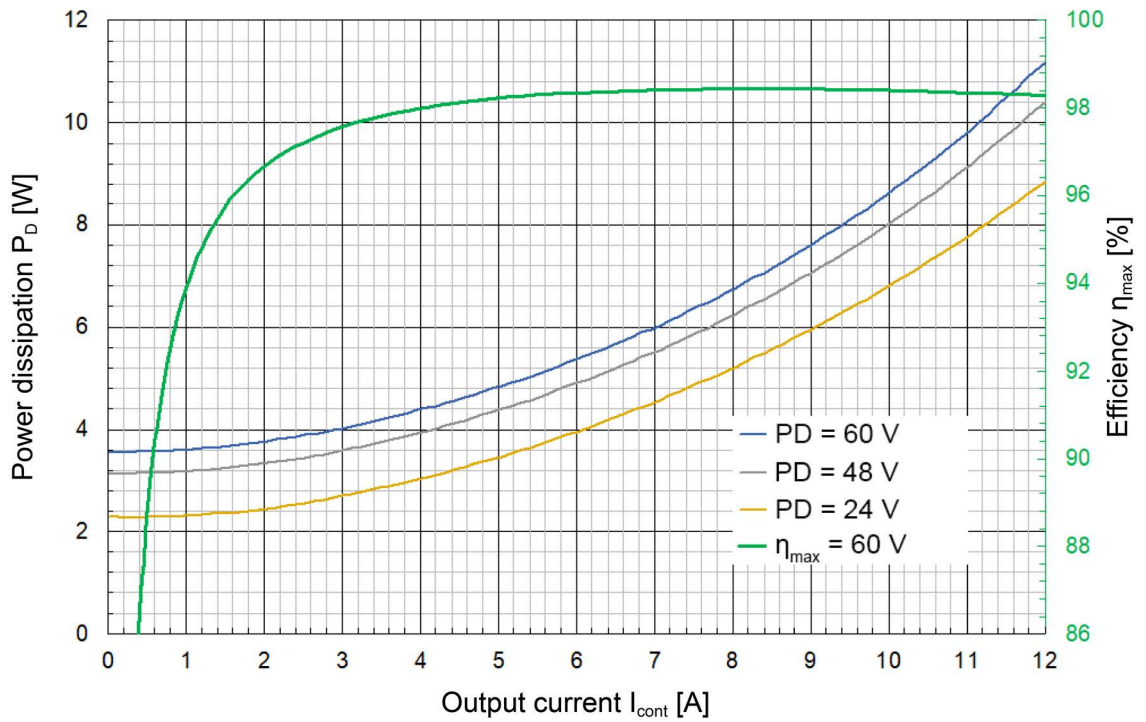


Figure 2-3 Power dissipation and efficiency

2.3 Limitations

Protection functionality	Switch-off threshold	Recovery threshold
Undervoltage	8.0 V	8.5 V
Overvoltage	64 V	63 V
Overcurrent	$\pm 58\text{ A}$	—
Thermal overload	105 °C	90 °C

Table 2-7 Limitations

2.4 Dimensional Drawings

Disk CAN

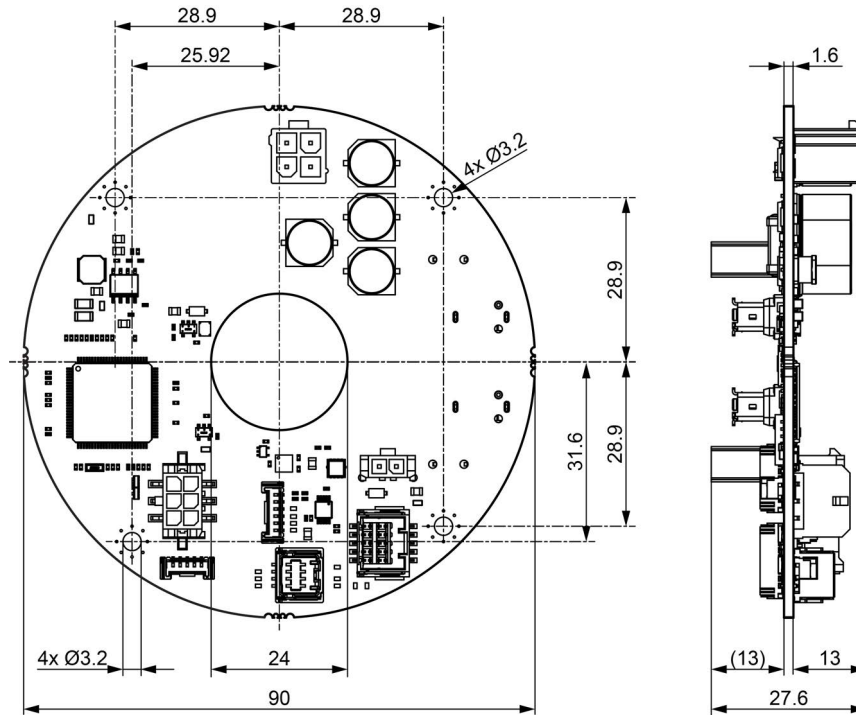


Figure 2-4 EPOS4 Disk 60/12 CAN (688775) – Dimensional drawing [mm]

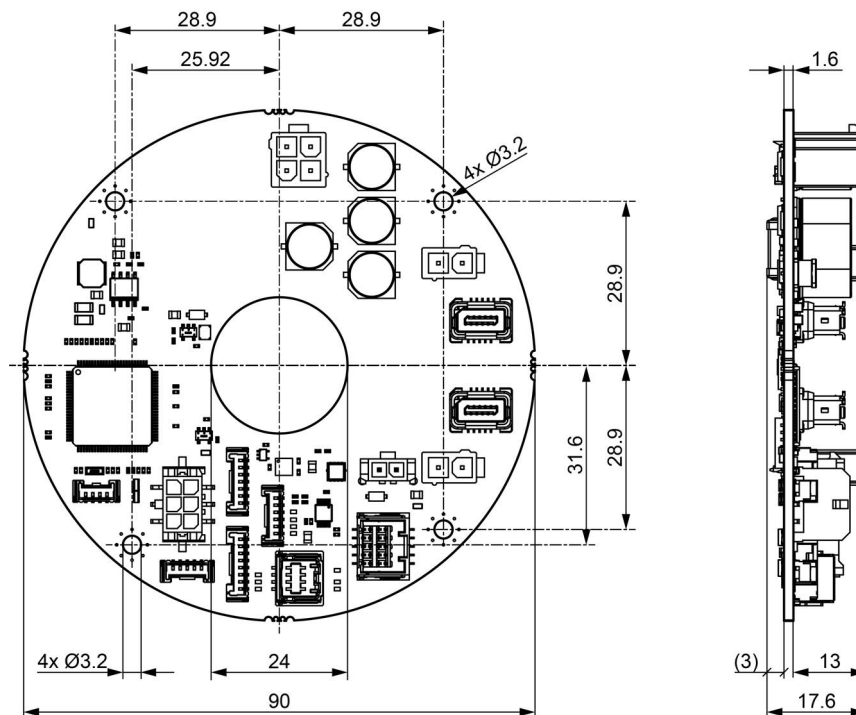


Figure 2-5 EPOS4 Disk 60/12 CAN SSC (709859) – Dimensional drawing [mm]

Disk EtherCAT

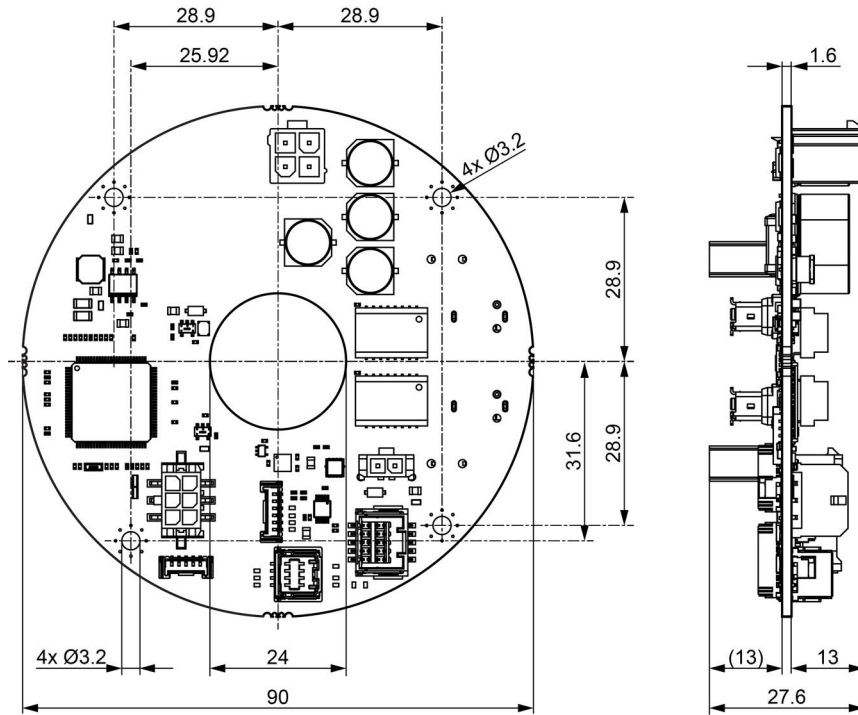


Figure 2-6 EPOS4 Disk 60/12 EtherCAT (688777) – Dimensional drawing [mm]

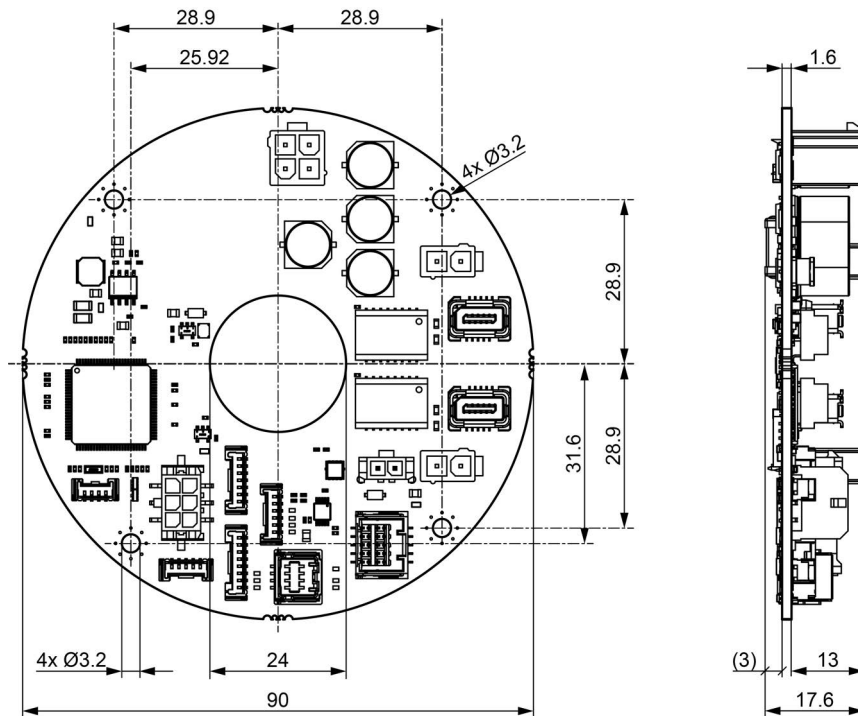


Figure 2-7 EPOS4 Disk 60/12 EtherCAT SSC (709862) – Dimensional drawing [mm]

2.5 Standards

The device described was successfully tested in the following setup for compliance with the standards listed below: EPOS4 Disk 60/12 EtherCAT (688777) integrated in maxon's Robot Joint 90.

The described device has been successfully tested for compliance with the below listed standards. In practical terms, only the complete system (the fully operational equipment comprising all individual components, such as motor, servo controller, power supply unit, EMC filter, cabling etc.) can undergo an EMC test to ensure interference-free operation.



Important Notice

The device's compliance with the mentioned standards does not imply its compliance within the final, ready to operate setup. In order to achieve compliance of your operational system, you must perform EMC testing of the involved equipment as a whole.

Electromagnetic Compatibility		
Generic	IEC/EN 61000-6-2	Immunity for industrial environments
	IEC/EN 61000-6-3	Emission standard for residential, commercial and light-industrial environments
Applied	IEC/EN 55032 (CISPR32)	Radio disturbance characteristics / radio interference
	IEC/EN 61000-4-2	Electrostatic discharge immunity test 8 kV/4 kV
	IEC/EN 61000-4-3	Radiated, radio-frequency, electromagnetic field immunity test >10 V/m
	IEC/EN 61000-4-4	Electrical fast transient/burst immunity test ±2 kV
	IEC/EN 61000-4-6	Immunity to conducted disturbances, induced by radio-frequency fields 10 Vrms
	IEC/EN 61000-4-8	Power frequency magnetic field 30 A/m

Others		
Environment	IEC/EN 60068-2-6	Environmental testing – Test Fc: Vibration (sinusoidal, 10...500 Hz, 20 m/s ²)
	MIL-STD-810F	Random transport (10...500 Hz up to 2.53 g _{rms})
Safety	UL File Number	Unassembled printed circuit board: E207844
Reliability	MIL-HDBK-217F	Reliability prediction of electronic equipment Environment: Ground, benign (GB) Ambient temperature: 298 K (25 °C) Component stress: In accordance with circuit diagram and nominal power Mean Time Between Failures (MTBF) <ul style="list-style-type: none"> Disk CAN: 459'979 hours Disk EtherCAT: 288'239 hours

Table 2-8 Standards

••page intentionally left blank••

3 SETUP

IMPORTANT NOTICE: PREREQUISITES FOR PERMISSION TO COMMENCE INSTALLATION

The EPOS4 Disk 60/12 positioning controllers are considered as partly completed machinery according to EU Directive 2006/42/EC, Article 2, Clause (g) and **are intended to be incorporated into or assembled with other machinery or other partly completed machinery or equipment.**



WARNING

Risk of injury

Operating the device without the full compliance of the surrounding system with the EU Directive 2006/42/EC may cause serious injuries!

- Do not operate the device, unless you have made completely sure that the other machinery fully complies with the EU directive's requirements!
- Do not operate the device, unless the other machinery fulfills all relevant health and safety aspects!
- Do not operate the device, unless all respective interfaces have been established and fulfill the requirements stated in this document!

3.1 Generally applicable Rules



Maximal permitted supply voltage

- Make sure that supply power is between 12...60 VDC.
- Supply voltages above 67 VDC, or wrong polarity will destroy the unit.
- Note that the necessary output current is depending on the load torque. Yet, the output current limits are as follows:
 - continuous max. 12 A
 - short-time (acceleration) max. 36 A



Hot plugging the USB interface may cause hardware damage

If the USB interface is being hot-plugged (connecting while the power supply is on), the possibly high potential differences of the two power supplies of controller and PC/Notebook can lead to damaged hardware.

- Avoid potential differences between the power supply of controller and PC/Notebook or, if possible, balance them.
- Insert the USB connector first, then switch on the power supply of the controller.



Hot plugging/hot swapping the extension slots may cause hardware damage

Switch off the controller's power supply before removing or inserting an extension card.

3.2 Cabling

PLUG&PLAY

Take advantage of maxon's prefab cable assemblies. They come as ready-to-use parts and will help to reduce commissioning time to a minimum.

- a) Check the following table and find the part number of the cable assembly that matches the setup you will be using.
- b) Follow the cross-reference to get the cable's pin assignment.

Connector	Prefab Cable Assembly		
	Designation	Part Number	→Page
X1 X1a	Power Cable High Current	710929	3-49
X2 X2a	Power Cable High Current Power Cable	710929 275829	3-49 3-49
X3	Motor Cable High Current	710930	3-50
X4	Hall Sensor Cable	275878	3-50
X4a	Hall Sensor Cable	696284	3-50
X5/X6	Sensor Cable 5x2core	520852	3-51
X5	Encoder Cable	696285	3-51
X6	Sensor Cable 3x2core	696286	3-51
X7 X7a	Signal Cable 8core	696287	3-52
X8 X8a	Signal Cable 7core	696288	3-52
X13 X13a	USB Type A-Micro-Lock Cable	696289	3-52
X14 X14a	CAN-CAN Cable CAN-COM Cable	710931 710932	3-53 3-53
X14 X14a	EtherCAT-EtherCAT Cable EtherCAT-COM Cable	710933 710934	3-54 3-54
X15 X15a	CAN-CAN Cable CAN-COM Cable	710931 710932	3-53 3-53
X15 X15a	EtherCAT-EtherCAT Cable EtherCAT-COM Cable	710933 710934	3-54 3-54
X16	Brake Cable	710928	3-55

Table 3-9 Prefab maxon cables

MAKE&BAKE YOUR OWN

If you decide not to employ maxon's prefab cable assemblies, you might wish to use the prepackaged kit. It contains the connectors required to make up your own cabling (**connectors for CAN/EtherCAT communication not included**, for details see →Table 3-51 and →Table 3-54).

And you also can make use of matching plugs to connect to your network bus (→Table 3-11).

EPOS4 Disk Connector Set (710926)		
Connector	Specification	Quantity
Connectors		
X1, X2	Molex Mini-Fit Jr., dual row, 2 poles (3901-2025)	2
X1/X2, X3	Molex Micro-Fit 3.0, single row, 3 poles (43645-0300)	2
X3	Molex Mini-Fit Jr., dual row, 4 poles (3901-2045)	1
X4	Molex Micro-Lock Plus, single row, 5 poles (505565-0501)	1
X5	Molex Micro-Lock Plus, dual row, 8 poles (505432-0801)	1
X6	Molex Micro-Lock Plus, single row, 6 poles (505565-0601)	1
X7	Molex Micro-Lock Plus, single row, 8 poles (505565-0801)	1
X8	Molex Micro-Lock Plus, single row, 7 poles (505565-0701)	1
X13	Molex Micro-Lock Plus, single row, 4 poles (505565-0401)	1
X16	Molex Micro-Fit 3.0, single row, 2 poles (43645-0200)	1
Crimp Terminals		
X1, X2, X3	Molex Mini-Fit Plus HCS, AWG16 (45750-3111)	8
X1/X2, X3, X16	Molex Micro-Fit 3.0 female crimp terminal (43030-0038)	8
X4, X5, X6, X7, X8, X13	Molex Micro-Lock Plus female crimp terminal (505431-1000)	40

Table 3-10 EPOS4 Disk Connector Set – Content

EPOS4 Disk Communication Plugs			
Connector	Bus	Specification	Part number
Suitable plug for connector X14/X15	CAN	CAN ix Industrial Type B plug [*]	751388
	EtherCAT	EtherCAT ix Industrial Type A plug [*]	748166

[*] Suitable for cables with an outer diameter of 6.3...7.2 mm and a conductor cross section AWG24 (1.1...1.25 mm)

Table 3-11 EPOS4 Disk Communication Plugs

TOOLS

Tool	Manufacturer	Part number
Hand crimper for ix Industrial	HARTING	09 45 800 0181
Hand crimper for Micro-Fit crimp terminals AWG18	Molex	63828-0200
Hand crimper for Micro-Fit crimp terminals AWG20...AGW30	Molex	63819-0000
Hand crimper for Micro-Lock crimp terminals	Molex	63827-6900
Hand crimper for Mini-fit Jr. crimp terminals	Molex	200218-2200

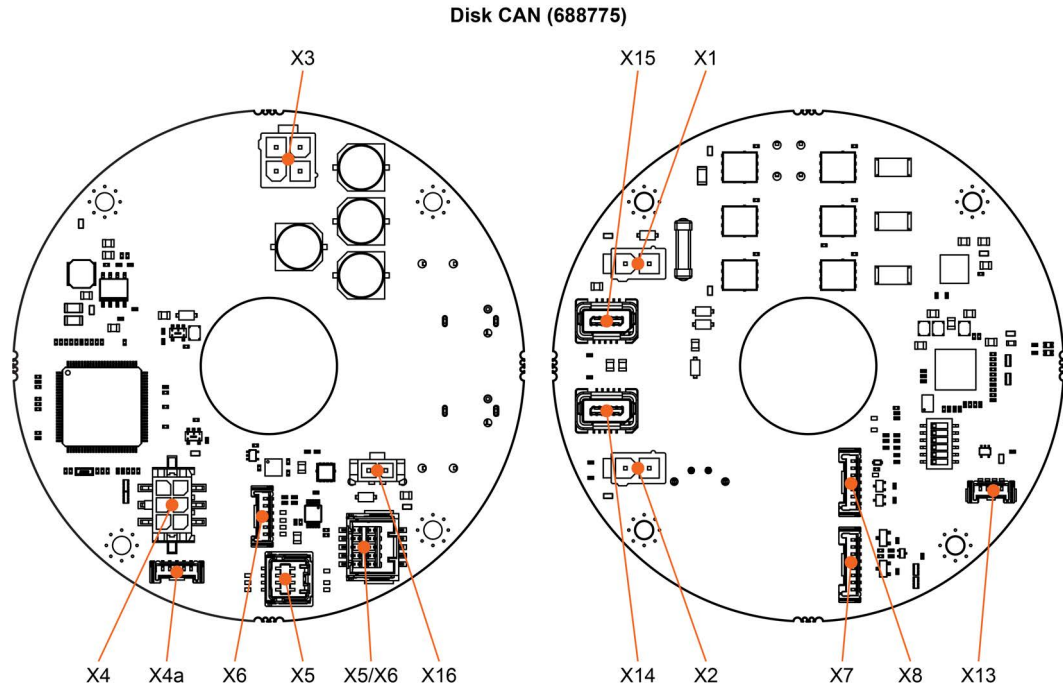
Table 3-12 Recommended tools

3.3 Connections

The actual connection will depend on the overall configuration of your drive system and the type of motor you will be using.

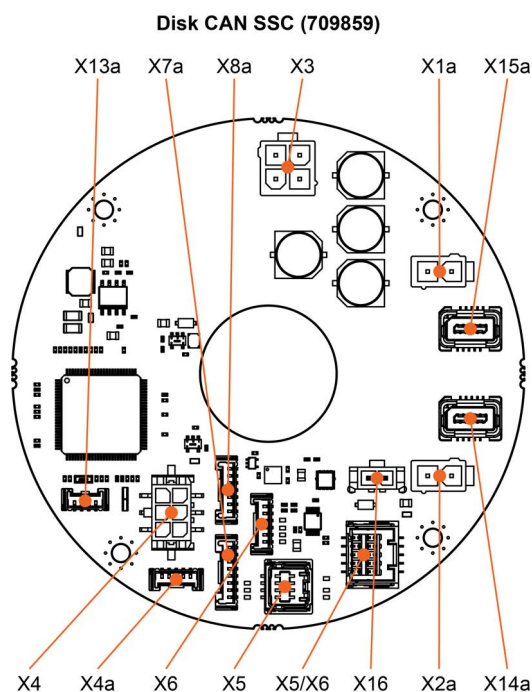
For each connector you will find detailed information on the pin assignment, the available accessories and prefab cable assemblies, the requirements that must be met, if any, and the circuitry.

Disk CAN



- | | |
|--|----------------------------------|
| X1 Power supply →page 3-26 | X6 SSI →page 3-37 |
| X2 Logic supply →page 3-28 | X7 Digital I/O →page 3-39 |
| X3 Motor →page 3-29 | X8 Analog I/O →page 3-42 |
| X4 Hall Sensor →page 3-30 | X13 USB →page 3-44 |
| X4a Hall Sensor →page 3-30 | X14 CAN IN →page 3-45 |
| X5/X6 Encoder/Sensor →page 3-32 | X15 CAN OUT →page 3-45 |
| X5 Encoder →page 3-34 | X16 Brake →page 3-48 |

Figure 3-8 EPOS4 Disk 60/12 CAN (688775) – Connectors



- | | |
|--|-----------------------------------|
| X1a Power supply →page 3-26 | X6 SSI →page 3-37 |
| X2a Logic supply →page 3-28 | X7a Digital I/O →page 3-39 |
| X3 Motor →page 3-29 | X8a Analog I/O →page 3-42 |
| X4 Hall Sensor →page 3-30 | X13a USB →page 3-44 |
| X4a Hall Sensor →page 3-30 | X14a CAN IN →page 3-45 |
| X5/X6 Encoder/Sensor →page 3-32 | X15a CAN OUT →page 3-45 |
| X5 Encoder →page 3-34 | X16 Brake →page 3-48 |

Figure 3-9 EPOS4 Disk 60/12 CAN SSC (709859) – Connectors

Disk EtherCAT

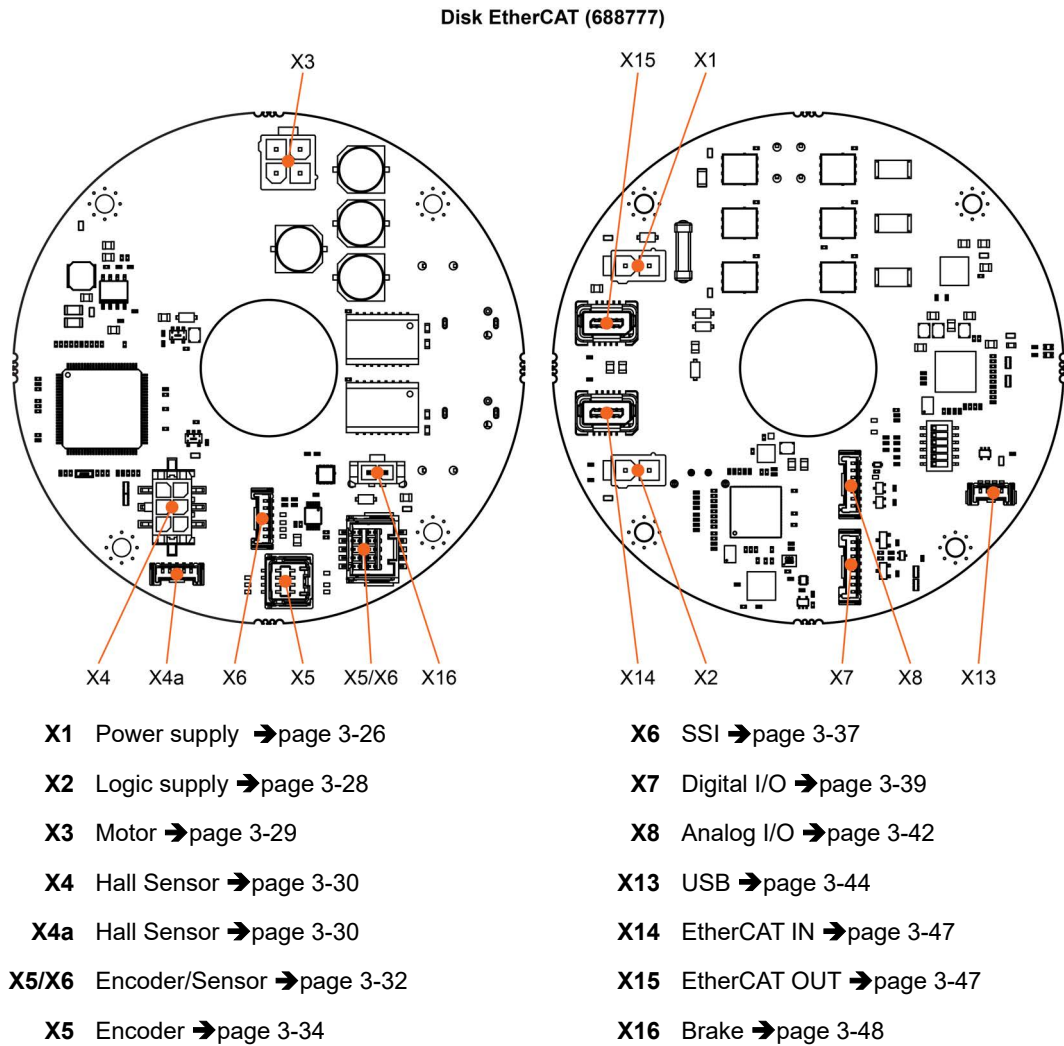
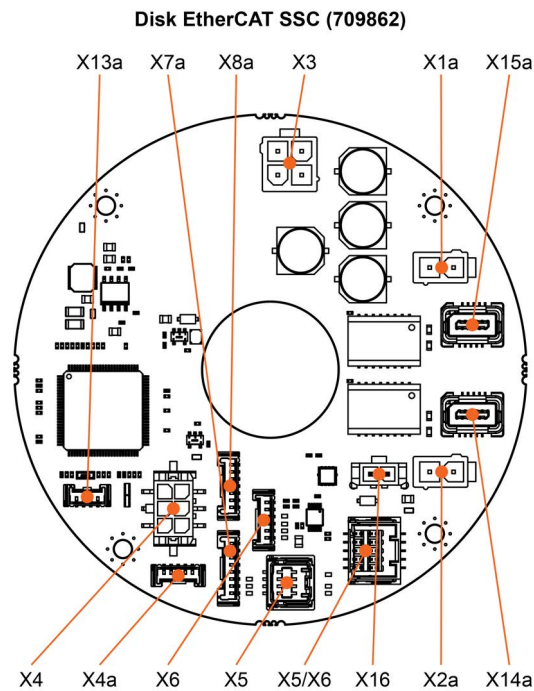


Figure 3-10 EPOS4 Disk 60/12 EtherCAT (688777) – Connectors



- | | |
|--|-------------------------------------|
| X1a Power supply →page 3-26 | X6 SSI →page 3-37 |
| X2a Logic supply →page 3-28 | X7a Digital I/O →page 3-39 |
| X3 Motor →page 3-29 | X8a Analog I/O →page 3-42 |
| X4 Hall Sensor →page 3-30 | X13a USB →page 3-44 |
| X4a Hall Sensor →page 3-30 | X14a EtherCAT IN →page 3-47 |
| X5/X6 Encoder/Sensor →page 3-32 | X15a EtherCAT OUT →page 3-47 |
| X5 Encoder →page 3-34 | X16 Brake →page 3-48 |

Figure 3-11 EPOS4 Disk 60/12 EtherCAT SSC (709862) – Connectors

3.3.1 Power Supply (X1; X1a)

Basically, any power supply may be used provided that it meets the stated minimum requirements. A separately sourced logic supply is optional.



Use of X1 or X1a is mandatory

You must employ X1 and X1a to connect the controller to the electrical supply. Use X2 and X2a only if you wish to connect an optional, separately wired logic supply.



Best practice

Keep the motor mechanically disconnected during the setup and adjustment phase.

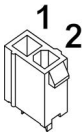


Figure 3-12 Power supply connector X1 or X1a

X1 X1a Pin	Signal	Description
1	GND	Ground
2	+V _{CC}	Power supply voltage (+12...+60 VDC)

Table 3-13 Power supply connector X1 or X1a – Pin assignment

Connector X1; X1a		
Suitable cable	→ Power Cable High Current on page 3-49	
Suitable plug	Housing	Molex Mini-Fit Plus (0039012025) Molex Mini-Fit Jr. (0039012020)
	Contact	Molex Mini-Fit Plus (45750311x)

Table 3-14 Power supply connector X1 or X1a – Specifications

Continued on next page.

Power supply requirements	
Output voltage	+V _{CC} 12...60 VDC
Absolute output voltage	min. 10 VDC; max. 61 VDC
Output current	Depending on load <ul style="list-style-type: none"> • continuous max. 12 A • short-time (acceleration, <5 s) max. 36 A

Table 3-15 Power supply requirements

- 1) Use the following formula to calculate the required voltage under load.
- 2) Choose a power supply according to the calculated voltage. Thereby consider:
 - a) During braking of the load, the power supply must be capable of buffering the recovered kinetic energy (for example, in a capacitor).
 - b) If you are using an electronically stabilized power supply, make sure that the overcurrent protection circuit is configured inoperative within the operating range.
 - c) The maximal power supply voltage +V_{CC} must be equal or greater than the holding brake supply voltage.



The formula already takes the following into account:

- Maximum PWM duty cycle of 90%
 - Controller's max. voltage drop of 1 V @ 12 A
-

KNOWN VALUES:

- Operating torque M [mNm]
- Operating speed n [rpm]
- Nominal motor voltage U_N [Volt]
- Motor no-load speed at U_N; n_O [rpm]
- Speed/torque gradient of the motor Δn/ΔM [rpm/mNm]

SOUGHT VALUE:

- Supply voltage +V_{CC} [Volt]

SOLUTION:

$$V_{CC} \geq \left[\frac{U_N}{n_O} \cdot \left(n + \frac{\Delta n}{\Delta M} \cdot M \right) \cdot \frac{1}{0.9} \right] + 1 [V]$$

3.3.2 Logic Supply (X2; X2a)

Basically, any power supply may be used provided that it meets the stated minimum requirements. A separately sourced logic supply is optional.



Best practice

Keep the motor mechanically disconnected during the setup and adjustment phase.

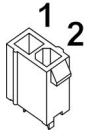


Figure 3-13 Logic supply connector X2 or X2a

X2 X2a Pin	Signal	Description
1	GND	Ground
2	+V _C	Logic supply voltage (+12...+60 VDC)

Table 3-16 Logic supply connector X2 or X2a – Pin assignment

Connector X2; X2a		
Suitable cables	→ Power Cable High Current on page 3-49 → Power Cable on page 3-49	
Suitable plug	Housing	Molex Mini-Fit Plus (0039012025) Molex Mini-Fit Jr. (0039012020)
	Contact	Molex Mini-Fit Plus (45750311x)

Table 3-17 Logic supply connector X2 or X2a – Specifications

Logic supply requirements (optional)	
Output voltage	+V _C 12...60 VDC
Absolute output voltage	min. 10 VDC; max. 61 VDC
Min output power	P _C min. 3.5 W

Table 3-18 Logic supply requirements

3.3.3 Motor (X3)

The controller is set to drive either a maxon DC motor (brushed DC motor) or maxon EC motor (BLDC, brushless DC motor).

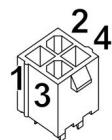


Figure 3-14 Motor connector X3

X3 Pin	Signal	Description
1	Motor (+M)	DC motor: Motor +
2	Motor (-M)	DC motor: Motor -
3	-	not connected
4	Motor shield	Cable shield

Table 3-19 Motor connector X3 – Pin assignment for maxon DC motor

X3 Pin	Signal	Description
1	Motor winding 1	EC motor: Winding 1
2	Motor winding 2	EC motor: Winding 2
3	Motor winding 3	EC motor: Winding 3
4	Motor shield	Cable shield

Table 3-20 Motor connector X3 – Pin assignment for maxon EC motor

Connector X3		
Suitable cable	➔ Motor Cable High Current on page 3-50	
Suitable plug	Housing	Molex Mini-Fit Plus (0039012045) Molex Mini-Fit Jr. (0039012040)
	Contact	Molex Mini-Fit Plus (45750311x)

Table 3-21 Motor connector X3 – Specifications

3.3.4 Hall Sensor (X4; X4a)

You may use either X4 or X4a to connect the motor's Hall sensors.

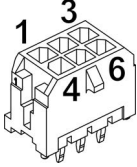


Figure 3-15 Hall sensor connector X4

X4 Pin	Signal	Description
1	Hall sensor 1	Hall sensor 1 input
2	Hall sensor 2	Hall sensor 2 input
3	Hall sensor 3	Hall sensor 3 input
4	GND	Ground
5	V_{Sensor}	Sensor supply voltage (+5 VDC; $I_L \leq 100$ mA)
6	Hall shield	Cable shield

Table 3-22 Hall sensor connector X4 – Pin assignment

Connector X4		
Suitable cable	→ Hall Sensor Cable on page 3-50	
Suitable plug	Housing	Molex Micro-Fit (0430250600)
	Contact	Molex Micro-Fit (0430300001) / (0430300007) AWG20...24 Molex Micro-Fit (0430300004) / (0430300010) AWG26...30

Table 3-23 Hall sensor connector X4 – Specifications

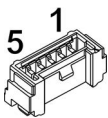


Figure 3-16 Hall sensor connector X4a

X4a Pin	Signal	Description
1	Hall sensor 1	Hall sensor 1 input
2	Hall sensor 2	Hall sensor 2 input
3	Hall sensor 3	Hall sensor 3 input
4	GND	Ground
5	V_{Sensor}	Sensor supply voltage (+5 VDC; $I_L \leq 100$ mA)

Table 3-24 Hall sensor connector X4a – Pin assignment

Continued on next page.

Connector X4a		
Suitable cable	→ Hall Sensor Cable on page 3-50	
Suitable plug	Housing	Molex Micro-Lock (05055650501)
	Contact	Molex Micro-Lock (05054311000) AWG26...30

Table 3-25 Hall sensor connector X4a – Specifications

Hall sensor	
Sensor supply voltage (V_{Sensor})	+5 VDC
Max. Hall sensor supply current	30 mA
Input voltage	0...24 VDC
Max. input voltage	+24 VDC
Logic 0	typically <0.8 V
Logic 1	typically >2.0 V
Internal pull-up resistor	2.7 k Ω (referenced to +5.45 V - 0.6 V)

Table 3-26 Hall sensor specification

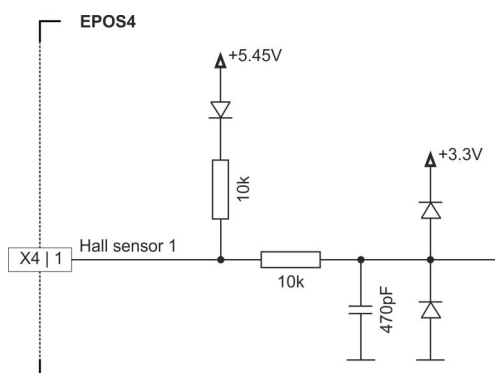


Figure 3-17 Hall sensor 1 input circuit (analogously valid for Hall sensors 2 & 3 and X4a)

3.3.5 Encoder/Sensor (X5/X6)



Danger of multiple signal allocation

If you are using this combined encoder/sensor combo connector X5/X6, **do not at the same time connect the connectors X5 and X6!**

The connector can provide connectivity for two different purposes. The respective pin assignment is selected by either leaving open or shorting the solder pads JP701 and JP702 (for their location see → Table 3-19).

- **Variante A:** the solder pads JP701 and JP702 are left open (default factory setting), thus providing connectivity for both a two-channel encoder (A, B) and a SSI encoder (Clock, Data)
- **Variante B:** the solder pads JP701 and JP702 are shorted, thus providing connectivity for a 3 three-channel encoder (A, B, I)

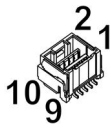


Figure 3-18 Encoder/Sensor combo connector X5/X6

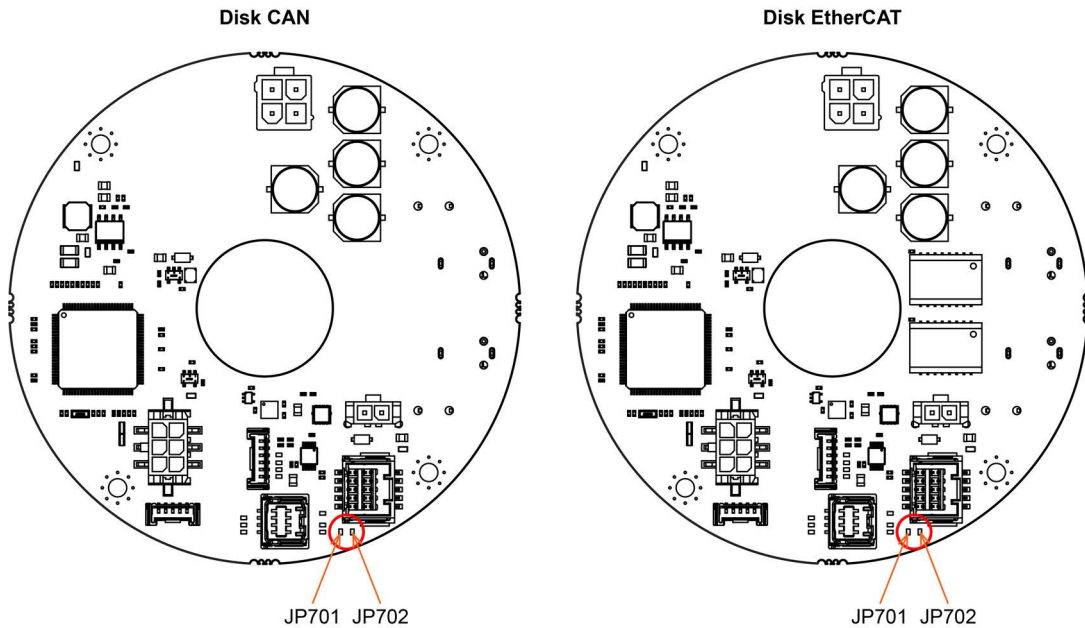


Figure 3-19 Solder pads JP701, JP702 – Location

Continued on next page.

X5/X6 Pin	Signal	Description
1	Channel A	Channel A
2	Channel A\	Channel A complement
3	Channel B	Channel B
4	Channel B\	Channel B complement
5	Clock	Clock (SSI)
	HsDigOut1	High-speed digital output 1
6	Clock\	Clock (SSI) complement
	HsDigOut1\	High-speed digital output 1 complement
7	Data	Data (SSI)
	HsDigIn4	High-speed digital input 4
8	Data\	Data (SSI) complement
	HsDigIn4\	High-speed digital input 4 complement
9	GND	Ground
10	V _{Aux}	Auxiliary output voltage (+5 VDC; I _L ≤145 mA)

Table 3-27 Encoder/Sensor combo connector X5/X6 (solder pads “open”) – Pin assignment

X5/X6 Pin	Signal	Description
1	Channel A	Channel A
2	Channel A\	Channel A complement
3	Channel B	Channel B
4	Channel B\	Channel B complement
5	Channel I	Channel I
6	Channel I\	Channel I complement
7	HsDigIn4	High-speed digital input 4
8	HsDigIn4\	High-speed digital input 4 complement
9	GND	Ground
10	V _{Aux}	Auxiliary output voltage (+5 VDC; I _L ≤145 mA)

Table 3-28 Encoder/Sensor combo connector X5/X6 (solder pads “closed”) – Pin assignment

Combo Connector X5/X6		
Suitable cable	→ Sensor Cable 5x2core on page 3-51	
Suitable plug	Housing	Molex CLIK-Mate (5031491000)
	Contact	Molex CLIK-Mate crimp terminals (502579)

Table 3-29 Encoder/Sensor combo connector X5/X6 – Specifications

For circuitry see → respective diagrams Figure 3-21, Figure 3-22, Figure 3-24, and Figure 3-25.

3.3.6 Encoder (X5)



Danger of multiple signal allocation

If you are using this encoder connector X5, **do not at the same time connect the combined encoder/sensor combo connector X5/X6!**



Best practice

- Differential signals offer good resistance against electrical interference. Therefore, **we recommend using a differential scheme**. Nevertheless, the controller supports both schemes – differential and single-ended (unsymmetrical).
- For best performance, **we strongly recommend to use encoders with a line driver**. Otherwise, limitations may apply due to slow switching edges.
- Even though 2-channel will do, **we strongly recommend to use only 3-channel versions**.

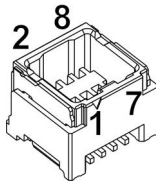


Figure 3-20 Encoder connector X5

X5 Pin	Signal	Description
1	Channel A	Channel A
2	Channel A\	Channel A complement
3	Channel B	Channel B
4	Channel B\	Channel B complement
5	Channel I	Channel I
6	Channel I\	Channel I complement
7	GND	Ground
8	V _{Sensor}	Sensor supply voltage (+5 VDC; I _L ≤100 mA)

Table 3-30 Encoder connector X5 – Pin assignment

Connector X5		
Suitable cable	→Encoder Cable on page 3-51	
Suitable plug	Housing	Molex Micro-Lock (05054320801)
	Contact	Molex Micro-Lock (05054311000) AWG26...30

Table 3-31 Encoder connector X5 – Specifications

Continued on next page.

Encoder (differential)	
Sensor supply voltage (V_{Sensor})	+5 VDC
Max. auxiliary supply current	≤ 70 mA
Min. differential input voltage	± 200 mV
Max. input voltage	± 12 VDC
Line receiver (internal)	EIA RS422 standard
Max. input frequency	6.25 MHz

Table 3-32 Differential encoder specification

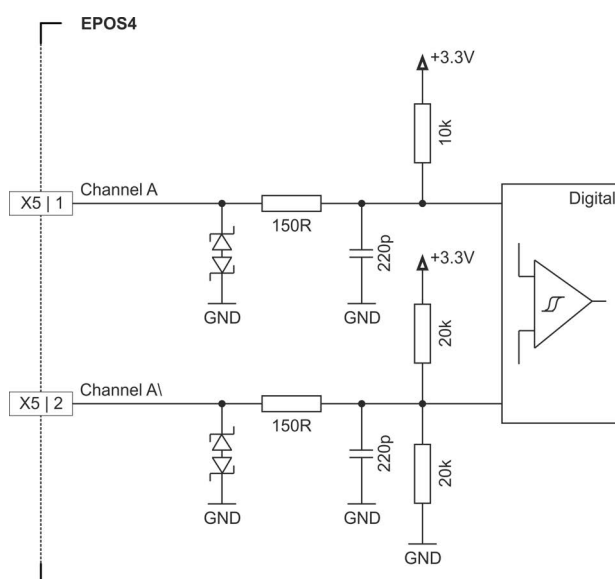


Figure 3-21 Encoder input circuit Ch A “differential” (analogously valid for Ch B, Ch I, and X5/X6)

Continued on next page.

Encoder (single-ended)		
Sensor supply voltage (V_{Sensor})	+5 VDC	
Max. auxiliary supply current	≤ 70 mA	
Input voltage	0...5 VDC	
Max. input voltage	± 12 VDC	
Logic 0	< 1.0 V	
Logic 1	> 2.4 V	
Input high current	typically $+250 \mu\text{A}$ @ +5 VDC	
Input low current	typically $-330 \mu\text{A}$ @ 0 VDC	
Max. input frequency	Push-pull	6.25 MHz
	Open collector	40 kHz (internal pull-up only) 150 kHz (additional external 3k3 pull-up)

Table 3-33 Single-ended encoder specification

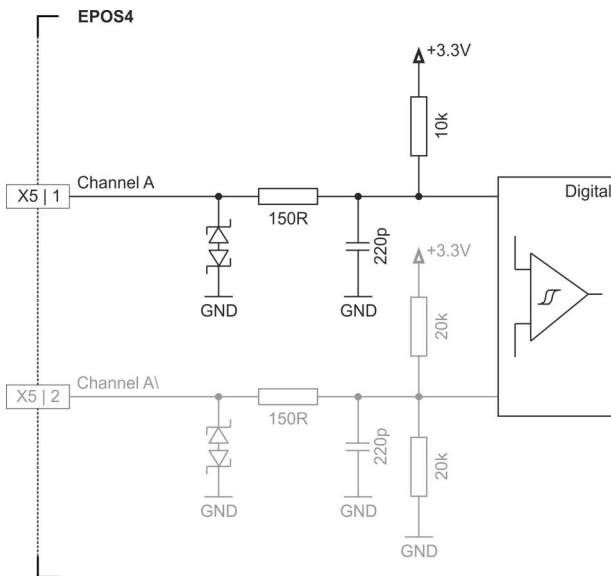


Figure 3-22 Encoder input circuit Ch A "single-ended" (analogously valid for Ch B, Ch I, and X5/X6)

3.3.7 SSI (X6)

You may connect both incremental and serial encoders as additional sensors.



Danger of multiple signal allocation

If you are using this sensor connector X6, do not at the same time connect the combined encoder/sensor combo connector X5/X6!



Check on the applied sensor's data sheet

If the specified inrush current or the maximum continuous current of the sensor should exceed 145 mA, you can connect the sensor supply voltage (V_{Sensor}) in parallel to the auxiliary output voltage (V_{Aux}).

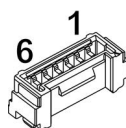


Figure 3-23 Sensor connector X6

X6 Pin	Signal	Description
1	Clock	Clock (SSI)
	HsDigOut1	High-speed digital output 1
2	Clock\	Clock (SSI) complement
	HsDigOut1\	High-speed digital output 1 complement
3	Data	Data (SSI)
	HsDigIn4	High-speed digital input 4
4	Data\	Data (SSI) complement
	HsDigIn4\	High-speed digital input 4 complement
5	GND	Ground
6	V_{Aux}	Auxiliary output voltage (+5 VDC; $I_L \leq 145$ mA)

Table 3-34 Sensor connector X6 – Pin assignment

Connector X6		
Suitable cable	→ Sensor Cable 3x2core on page 3-51	
Suitable plug	Housing	Molex Micro-Lock (05055650601)
	Contact	Molex Micro-Lock (05054311000) AWG26...30

Table 3-35 Sensor connector X6 – Specifications

Continued on next page.

SSI absolute encoder	
Auxiliary output voltage (V_{Aux})	+5 VDC
Max. auxiliary supply current	145 mA
Min. differential input voltage	± 200 mV
Min. differential output voltage	± 1.8 V @ external load $R=54 \Omega$
Max. output current	40 mA
Line receiver (internal)	EIA RS422 standard
Encoder input/output frequency	0.4... 2 MHz

Table 3-36 SSI absolute encoder specification

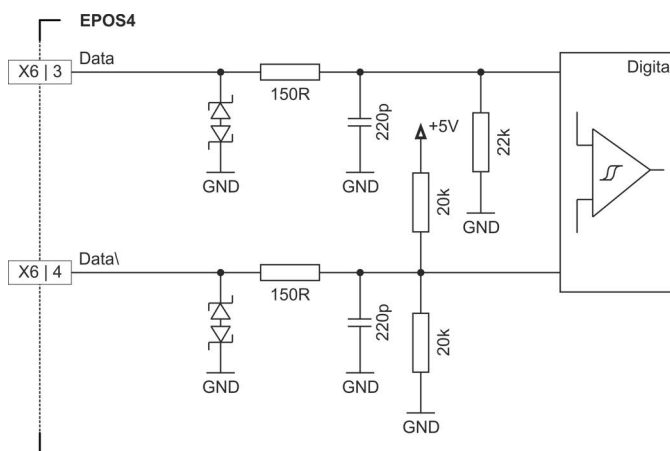


Figure 3-24 SSI absolute encoder data input (analogously valid for HsDigIn4 and X5/X6)

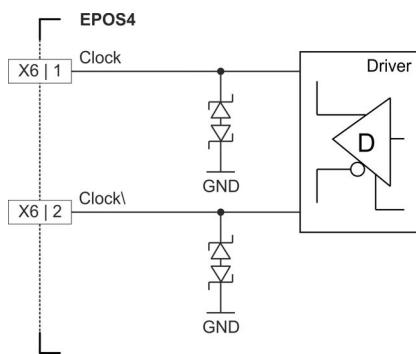


Figure 3-25 SSI absolute encoder clock output (analogously valid for HsDigOut1 and X5/X6)

3.3.8 Digital I/O (X7; X7a)

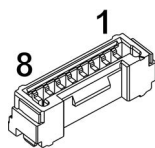


Figure 3-26 Digital I/O connector X7 or X7a

X7 X7a Pin	Signal	Description
1	DigIN1	Digital input 1
2	DigIN2	Digital input 2
3	DigIN3	Digital input 3
4	DigIN4	Digital input 4
5	DigOUT1	Digital output 1
6	DigOUT2	Digital output 2
7	GND	Ground
8	V _{Aux}	Auxiliary output voltage (+5 ; I _L ≤145 mA)

Table 3-37 Digital I/O connector X7 or X7a – Pin assignment

Connector X7; X7a		
Suitable cable	→ Signal Cable 8core on page 3-52	
Suitable plug	Housing	Molex Micro-Lock (05055650801)
	Contact	Molex Micro-Lock (05054311000) AWG26...30

Table 3-38 Digital I/O connector X7 or X7a – Specifications

Continued on next page.

Digital inputs 1...4	
Input voltage	0...36 VDC
Max. input voltage	±36 VDC
Logic 0	<0.8 V or floating
Logic 1	>2.1 V
Input resistance	typically 47 kΩ (<3.3 V) typically 37.5 kΩ (@ 5 VDC) typically 25.5 kΩ (@ 24 VDC)
Input current at logic 1	typically 135 μA @ 5 VDC
Switching delay	<300 μs

Table 3-39 Digital input 1...4 specification

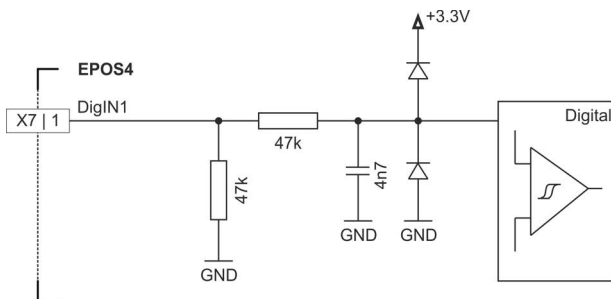


Figure 3-27 DigIN1 circuit (analogously valid for DigIN2...4 and X7a)

Digital outputs 1 & 2	
Circuit	Open drain (internal pull-up resistor 2k2 and diode to +5.45 VDC)

Table 3-40 Digital output specification

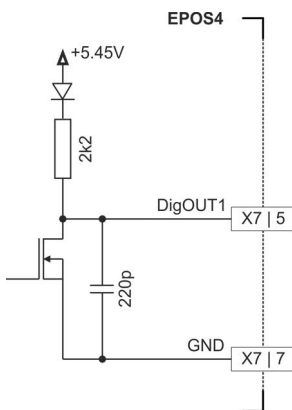


Figure 3-28 DigOUT1 circuit (analogously valid for DigOUT2 and X7a)

Continued on next page.

WIRING EXAMPLES

Digital output 1 & 2 “sinks”	
Max. input voltage	36 VDC
Max. load current	500 mA
Max. voltage drop	0.5 V @ 500 mA
Max. load inductance	100 mH @ 24 VDC; 500 mA

Table 3-41 Digital output 1 & 2 specification – Sinks

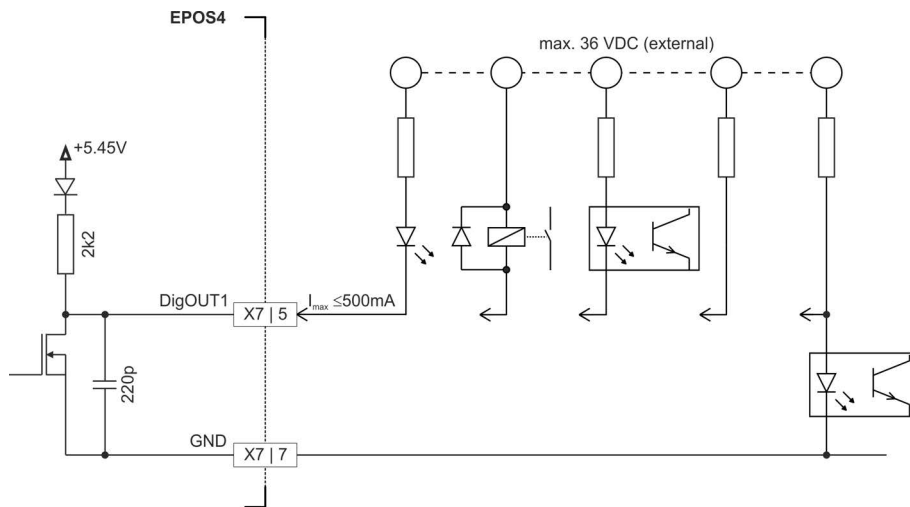


Figure 3-29 DigOUT1 “sinks” (analogously valid for DigOUT2 and X7a)

Digital output 1 & 2 “source”	
Output voltage	$U_{\text{Out}} = 5.45 \text{ V} - 0.75 \text{ V} - (I_{\text{Load}} \times 2200 \ \Omega)$
Max. load current	$I_{\text{Load}} \leq 2 \text{ mA}$

Table 3-42 Digital output 1 & 2 specification – Source

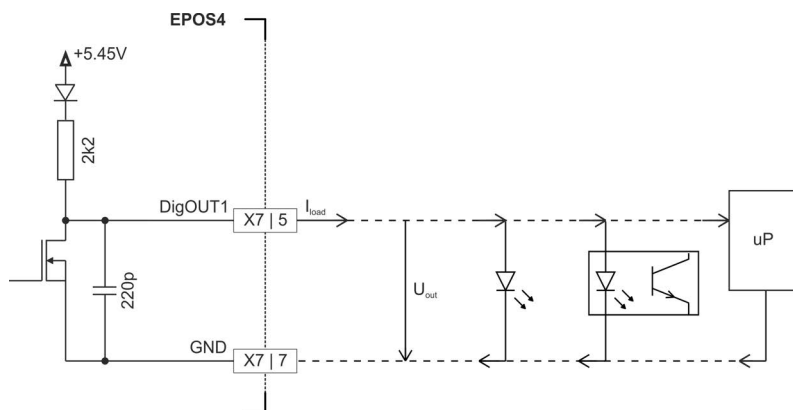


Figure 3-30 DigOUT1 “source” (analogously valid for DigOUT2 and X7a)

3.3.9 Analog I/O (X8; X8a)

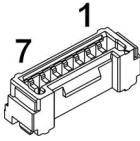


Figure 3-31 Analog I/O connector X8 or X8a

X8 X8a Pin	Signal	Description
1	AnIN1+	Analog input 1, positive signal
2	AnIN1-	Analog input 1, negative signal
3	AnIN2+	Analog input 2, positive signal
4	AnIN2-	Analog input 2, negative signal
5	AnOUT1	Analog output 1
6	—	not connected
7	GND	Ground

Table 3-43 Analog I/O connector X8 or X8a – Pin assignment

Connector X8; X8a		
Suitable cable	→Signal Cable 7core on page 3-52	
Suitable plug	Housing	Molex Micro-Lock (05055650701)
	Contact	Molex Micro-Lock (05054311000) AWG26...30

Table 3-44 Analog I/O connector X8 or X8a – Specifications

Continued on next page.

Analog inputs 1...2	
Input voltage	±10 VDC (differential)
Max. input voltage	±24 VDC
Common mode voltage	-5...+10 VDC (referenced to GND)
Input resistance	80 kΩ (differential) 65 kΩ (referenced to GND)
A/D converter	12-bit
Resolution	5.64 mV
Bandwidth	10 kHz

Table 3-45 Analog input specification

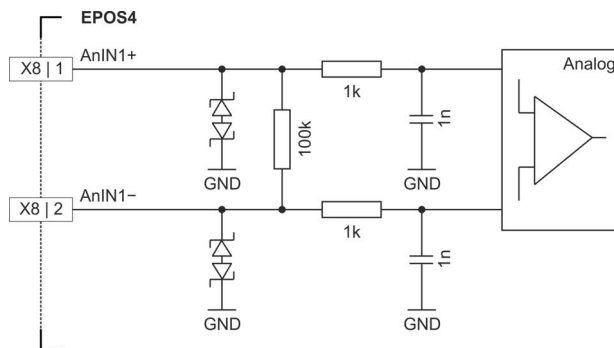


Figure 3-32 AnIN1 circuit (analogously valid for AnIN2 and X8a)

Analog output 1	
Output voltage	±4 VDC
D/A converter	12-bit
Resolution	2.42 mV
Refresh rate	2.5 kHz
Analog bandwidth of output amplifier	25 kHz
Max. capacitive load	300 nF Note: The increase rate is limited in proportion to the capacitive load (e.g. 5 V/ms @ 300 nF)
Max. output current limit	1 mA

Table 3-46 Analog output specification

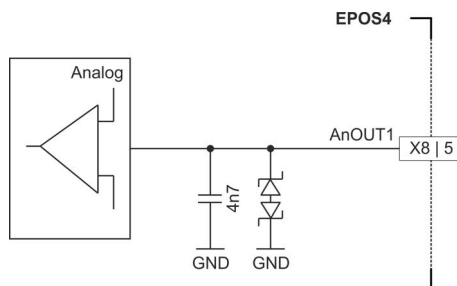


Figure 3-33 AnOUT1 circuit (analogously valid for X8a)

3.3.10 USB (X13; X13a)



Hot plugging the USB interface may cause hardware damage

If the USB interface is being hot-plugged (connecting while the power supply is on), the possibly high potential differences of the two power supplies of controller and PC/Notebook can lead to damaged hardware.

- Avoid potential differences between the power supply of controller and PC/Notebook or, if possible, balance them.
- Insert the USB connector first, then switch on the power supply of the controller.

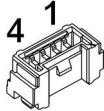


Figure 3-34 USB connector X13 or X13a

X13 X13a Pin	PC's USB Terminal Pin	Signal	Description
1	1	V _{Bus}	USB bus supply voltage input +5 VDC
2	2	USB_D-	USB Data- (twisted pair with Data+)
3	3	USB_D+	USB Data+ (twisted pair with Data-)
4	4	GND	USB ground

Table 3-47 USB connector X13 or X13a – Pin assignment

Connector X13; X13a		
Suitable cable	→ USB Type A-Micro-Lock Cable on page 3-52	
Suitable plug	Housing	Molex Micro-Lock (05055650401)
	Contact	Molex Micro-Lock (05054311000) AWG26...30

Table 3-48 USB connector X13 or X13a – Specifications

USB	
USB Standard	USB 2.0 / USB 3.0 (full speed)
Max. bus supply voltage	+5.25 VDC
Max. DC data input voltage	-0.5...+3.8 VDC

Table 3-49 USB interface specification

3.3.11 CAN IN (X14; X14a) & CAN OUT (X15; X15a)

The Disk CAN is specially designed being commanded and controlled via a Controller Area Network (CAN). It is preferably used as a slave node in the CANopen network.

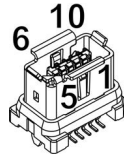


Figure 3-35 CAN 1 connector X14 or X14a / CAN 2 connector X15 or X15a

X14 X14a X15 X15a Pin	Signal	Description
1	CAN high	CAN high bus line
2	CAN low	CAN low bus line
3	—	not connected
4	—	not connected
5	—	not connected
6	CAN V+	CAN external supply (device-internally not in use)
7	GND	Ground
8	—	not connected
9	—	not connected
10	—	not connected
—	Shield	Cable shield

Table 3-50 CAN 1 connector X14 or X14a / CAN 2 connector X15 or X15a – Pin assignment

Connector X14; X14a; X15; X15a	
Suitable cables	→ CAN-CAN Cable on page 3-53 → CAN-COM Cable on page 3-53
Suitable plug	maxon (751388) (→ Table 3-11) or HARTING (09 45 181 9002 XL) or Hirose (IX31G-B-10S-CV(7.0))

Table 3-51 CAN 1 connector X14 or X14a / CAN 2 connector X15 or X15a – Specifications

Continued on next page.

CAN interface	
Standard	ISO 11898-2:2003
Max. bit rate	1 Mbit/s
Max. number of CAN nodes	127/31 (via software/hardware setting)
Protocol	CiA 301 version 4.2.0
Node-ID setting	By DIP switch or software

Table 3-52 CAN interface specification

**Note**

- Consider the CAN master's maximal bit rate.
- The standard bit rate setting (factory setting) is 1 Mbit/s, automatic bit rate detection is set.
- Use 120 Ω termination resistor at both ends of the CAN bus.
- For detailed CAN information see separate document →«EPOS4 Communication Guide».

3.3.12 EtherCAT IN (X14; X14a) & EtherCAT OUT (X15; X15a)

The Disk EtherCAT features two NET connectors for EtherCAT. One serves for NET input, the other for NET output. Both sockets are identical in respect to their external wiring.



Wrong plugging may cause hardware damage

Even though both NET sockets are prepared for identical external wiring, make sure to always connect them as follows.

- Use IN (X14 or X14a) as «Input».
- Use OUT (X15 or X15a) as «Output».

For detailed information see separate document →«EPOS4 Communication Guide».

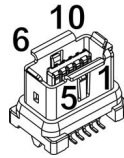


Figure 3-36 EtherCAT IN connector X14 or X14a / EtherCAT OUT connector X15 or X15a

X14 X14a X15 X15a Pin	Signal	Description
1	TX+	Transmission Data+
2	TX-	Transmission Data-
3	—	not connected
4	—	not connected
5	—	not connected
6	RX+	Receive Data+
7	RX-	Receive Data-
8	—	not connected
9	—	not connected
10	—	not connected
—	Shield	Cable shield

Table 3-53 EtherCAT IN connector X14 or X14a / EtherCAT OUT connector X15 or X15a – Pin assignment

Connector X14; X14a; X15; X15a	
Suitable cables	→ EtherCAT-EtherCAT Cable on page 3-54 → EtherCAT-COM Cable on page 3-54
Suitable plug	maxon (748166) (→ Table 3-11) or HARTING (09 45 181 2562 XL) or Hirose (IX31G-A-10S-CV(7.0))

Table 3-54 EtherCAT IN connector X14 or X14a / EtherCAT OUT connector X15 or X15a – Specifications

3.3.13 Brake (X16)

The high-speed digital output 2 allows the time-controlled reduction of the brake voltage with PWM in order to reduce the power loss in the brake. For detailed information see separate document → «EPOS4 Firmware Specification».



Figure 3-37 Brake connector X16

X16 Pin	Signal	Description
1	Brake+	Holding brake + (fused power supply voltage +V _{CC})
2	Brake-	Holding Brake - (configurable open drain PWM output)

Table 3-55 Brake connector X16 – Pin assignment

Connector X16		
Suitable cable	→ Brake Cable on page 3-55	
Suitable plug	Housing	Molex Micro-Fit (0436450200)
	Contact	Molex Micro-Fit (0430300001) (0430300007) AWG20...24 Molex Micro-Fit (0430300004) (0430300010) AWG26...30

Table 3-56 Brake connector X16 – Specifications

Brake output	
V _{Brake} PWM frequency	25 kHz
V _{Brake} voltage	Max. +V _{CC}
V _{Brake} current	≤700 mA
Max. voltage drop (Brake- to GND)	0.15 V @ 700 mA

Table 3-57 Brake output specification

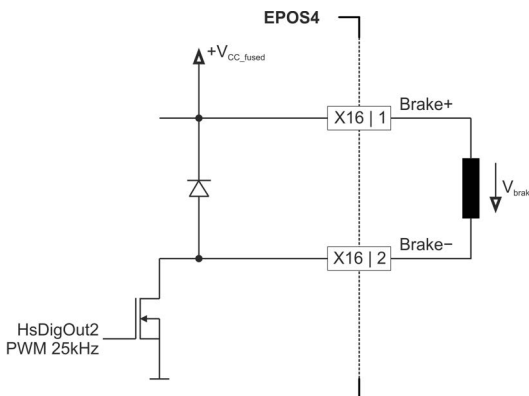


Figure 3-38 HsDigOut 2 (Holding Brake only) circuit

3.4 Prefab Cable Assemblies



Best practice

The actual connections you will need to establish depend on the overall configuration of your drive system, the type of controller, and the type of motor you will be using. Check on →chapter “4 Wiring” on page 4-63 for the prefab cable assemblies you will actually require in your setup.

This cable fits connectors...
→X1
→X1a
→X2
→X2a

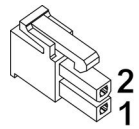
Power Cable High Current (710929)		
A		B
Type / length	2 x 1.5 mm ² , non-shielded, grey / 3 m	
Wire identifier	Characters “+” “-”	
Head A	Plug	Molex Mini-Fit Plus, 2 poles (0039012025)
	Contacts	Molex Mini-Fit Plus HCS, AWG16, female crimp terminals (45750)
Head B	Wire end sleeves 1.5 mm ²	

Table 3-58 Power Cable High Current

This cable fits connectors...
→X2
→X2a

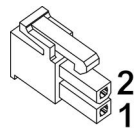
Power Cable (275829)		
A		B
Type / length	2 x 0.75 mm ² , non-shielded, grey / 3 m	
Wire identifier	Characters “+” “-”	
Head A	Plug	Molex Mini-Fit Jr., 2 poles (39-01-2020)
	Contacts	Molex Mini-Fit Jr. female crimp terminals (45750)
Head B	Wire end sleeves 0.75 mm ²	

Table 3-59 Power Cable

This cable fits
 connectors...
 →X3

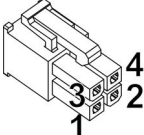
Motor Cable High Current (710930)		
A		B
Type / length	3 x 1.5 mm ² , shielded, grey / 3 m	
Wire identifier	Numbers 1 2 3	
Head A	Plug	Molex Mini-Fit Plus, 4 poles (0039012045)
	Contacts	Molex Mini-Fit Plus HCS, AWG16, female crimp terminals (45750)
Head B	Wire end sleeves 1.5 mm ²	

Table 3-60 Motor Cable High Current

This cable fits
 connectors...
 →X4

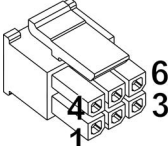
Hall Sensor Cable (275878)		
A		B
Type / length	5 x 0.14 mm ² , shielded, grey / 3 m	
Wire identifier	Colors green brown white yellow grey	
Head A	Plug	Molex Micro-Fit 3.0, 6 poles (430-25-0600)
	Contacts	Molex Micro-Fit 3.0 female crimp terminals (430-30-xxxx)
Head B	Wire end sleeves 0.14 mm ²	

Table 3-61 Hall Sensor Cable

This cable fits
 connector...
 →X4a

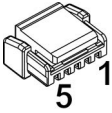
Hall Sensor Cable (696284)		
A		B
Type / length	5 x 0.14 mm ² , shielded, grey / 3 m	
Wire identifier	Colors white brown green yellow grey	
Head A	Plug	Molex Micro-Lock (05055650501)
	Contacts	Molex Micro-Lock (05054311000)
Head B	Wire end sleeves 0.14 mm ²	

Table 3-62 Hall Sensor Cable

This cable fits
connector...
→X5/X6

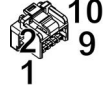
Sensor Cable 5x2core (520852)		
A		B
Type / length	5 x 2 x 0.14 mm ² , twisted pair, grey / 3 m	
Wire identifier	Colors white brown green yellow grey pink blue red black violet	
Head A	Plug	Molex CLIK-Mate (503149-1000)
	Contacts	Molex CLIK-Mate (502579)
Head B	Wire end sleeves 0.14 mm ²	

Table 3-63 Sensor Cable 5x2core

This cable fits
connector...
→X5

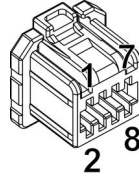
Encoder Cable (696285)		
A		B
Type / length	4 x 2 x 0.14 mm ² , twisted pair, non-shielded, grey / 3 m	
Wire identifier	Colors white brown green yellow grey pink blue red	
Head A	Plug	Molex Micro-Lock (05054320801)
	Contacts	Molex Micro-Lock (05054311000)
Head B	Wire end sleeves 0.14 mm ²	

Table 3-64 Encoder Cable

This cable fits
connector...
→X6

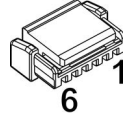
Sensor Cable 3x2core (696286)		
A		B
Type / length	3 x 2 x 0.14 mm ² , twisted pair, non-shielded, grey / 3 m	
Wire identifier	Colors white brown green yellow grey pink	
Head A	Plug	Molex Micro-Lock (05055650601)
	Contacts	Molex Micro-Lock (05054311000)
Head B	Wire end sleeves 0.14 mm ²	

Table 3-65 Sensor Cable 3x2core

This cable fits
 connector...
 →X7
 →X7a

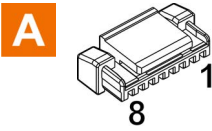
Signal Cable 8core (696287)		
		
Type / length	8 x 0.14 mm ² , non-shielded, grey / 3 m	
Wire identifier	Colors white brown green yellow grey pink blue red	
Head A	Plug	Molex Micro-Lock (05055650801)
	Contacts	Molex Micro-Lock (05054311000)
Head B	Wire end sleeves 0.14 mm ²	

Table 3-66 Signal Cable 8core

This cable fits
 connector...
 →X8
 →X8a

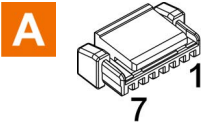
Signal Cable 7core (696288)		
		
Type / length	7 x 0.14 mm ² , non-shielded, grey / 3 m	
Wire identifier	Colors white brown green yellow grey pink blue	
Head A	Plug	Molex Micro-Lock (05055650701)
	Contacts	Molex Micro-Lock (05054311000)
Head B	Wire end sleeves 0.14 mm ²	

Table 3-67 Signal Cable 7core

This cable fits
 connector...
 →X13
 →X13a


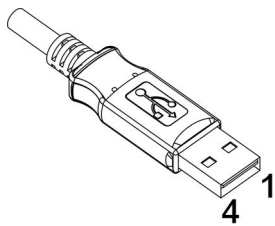
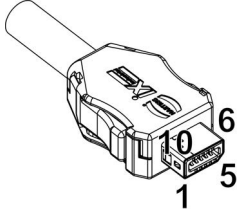
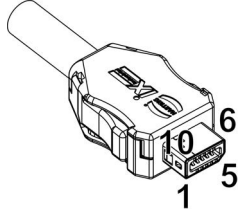
USB Type A-Micro-Lock Cable (696289)		
		
Type / length	USB 2.0 / USB3.0 (full speed), black / 1.5 m	
Wire identifier	—	
Head A	Plug	Molex Micro-Lock (05055650401)
	Contacts	Molex Micro-Lock (05054311000)
Head B	Plug	Male USB A, straight

Table 3-68 USB Type A-Micro-Lock Cable

This cable fits
Disk CAN's
connectors...

- ➔X14
- ➔X14a
- ➔X15
- ➔X15a

CAN-CAN Cable (710931)			
A		B	
Type / length	10 x AWG26, IEC61076-3-124, grey / 3 m [d]		
Wire identifier	Colors white brown green yellow grey pink blue red black violet		
Head A	HARTING ix Industrial, Type B (09 45 181 9002 XL)		
Head B	HARTING ix Industrial, Type B (09 45 181 9002 XL)		

[d] Alternative lengths are available from HARTING: 0.5 m (33 48 111 1A20 005); 1 m (33 48 111 1A20 010)

Table 3-69 CAN-CAN Cable

This cable fits
Disk CAN's
connectors...

- ➔X14
- ➔X14a
- ➔X15
- ➔X15a

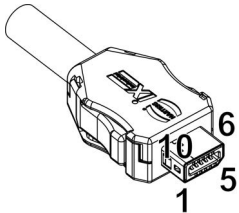
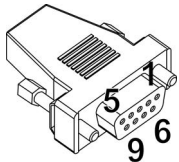
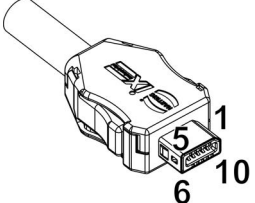
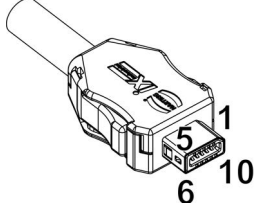
CAN-COM Cable (710932)			
A		B	
Type / length	10 x AWG26, IEC61076-3-124, grey / 3 m		
Wire identifier	Colors white brown green yellow grey pink blue red black violet		
Head A	HARTING ix Industrial, Type B (09 45 181 9002 XL)		
Head B	D-SUB socket 9, female		

Table 3-70 CAN-COM Cable

This cable fits
 Disk EtherCAT's
 connectors...

- ➔X14
- ➔X14a
- ➔X15
- ➔X15a

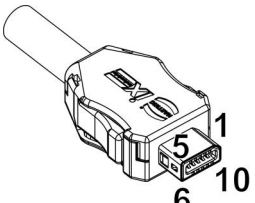
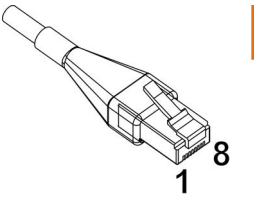
EtherCAT-EtherCAT Cable (710933)			
A		B	
Type / length	4 x 2 x AWG28/7. Cat. 6A, yellow / 3 m [e]		
Wire identifier	Colors white/orange orange n.c. blue white/blue white/green green n.c. white/brown brown		
Head A	HARTING ix Industrial, Type A (09 45 181 2562 XL)		
Head B	HARTING ix Industrial, Type A (09 45 181 2562 XL)		

[e] Alternative lengths are available from HARTING: 0.5 m (33 48 06 0683 0005); 1 m (33 48 06 0683 0010)

Table 3-71 EtherCAT-EtherCAT Cable

This cable fits
 Disk EtherCAT's
 connectors...

- ➔X14
- ➔X14a
- ➔X15
- ➔X15a

EtherCAT-COM Cable (710934)			
A		B	
Type / length	4 x 2 x AWG28/7. Cat. 6A, yellow / 3 m [f]		
Wire identifier	Colors white/orange orange n.c. blue white/blue white/green green n.c. white/brown brown		
Head A	HARTING ix Industrial, Type A (09 45 181 2562 XL)		
Head B	RJ45		

[f] Alternative lengths are available from HARTING: 0.5 m (33 48 06 5383 0005); 1 m (33 48 06 5383 0010)

Table 3-72 EtherCAT-COM Cable

This cable fits
connector...
→X16

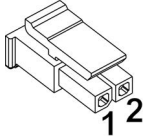
Brake Cable (710928)		
A		B
Type / length	2 x 0.5 mm ² , shielded, grey / 3 m	
Wire identifier	Numbers 1 2	
Head A	Plug	Molex Micro-Fit (0436450200)
	Contacts	Molex Micro-Fit (0430300001) (0430300007)
Head B	Wire end sleeves 0.5 mm ²	

Table 3-73 Brake Cable

3.5 DIP Switch Configuration (SW1)

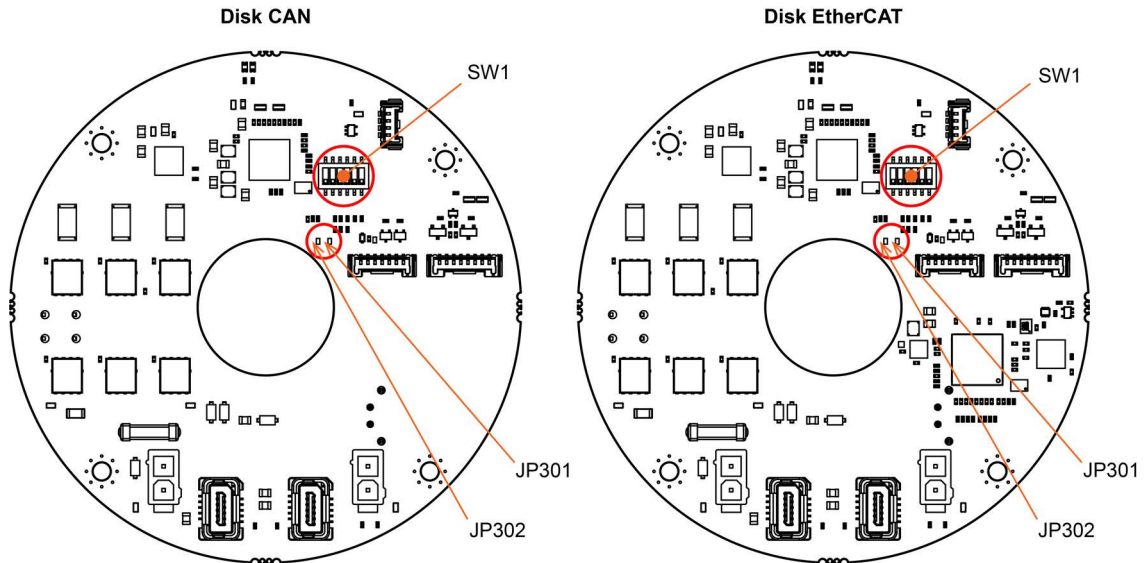


Figure 3-39 DIP switch SW1 and solder pads – Location

3.5.1 CAN ID (Node-ID) / DEV ID

The device's identification (subsequently called "ID") is set by means of DIP switches 1...4 and, additionally, by shortening the solder pads JP301 and JP302. The ID (1...63) may be coded using binary code.



Setting the ID by DIP switch SW1 and solder pads JP301, JP302

- By setting the DIP switch (1...4) address 0 ("OFF"), the ID may be set by software (object 0x2000 «Node-ID», range 1...127).
- The ID results in the summed values of DIP switch addresses 1 ("ON") and shorted solder pads JP301 and JP302.
- DIP switches 5 and 6 do not have any impact on the ID.

Setting	Switch	Binary Code	Valence
 (factory setting)*	1	2^0	1
	2	2^1	2
	3	2^2	4
	4	2^3	8
	JP301 closed	2^4	16
	JP302 closed	2^5	32

* the default setting for the solder pads JP301, JP302 is "open"

Table 3-74 DIP switch SW1 – Binary code values

Continued on next page.

The set ID can be observed by adding the valence of all activated switches. Use the following table as a (non-concluding) guide:

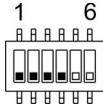
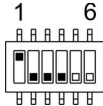
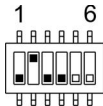
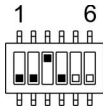
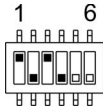
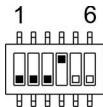
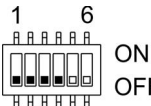
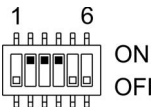
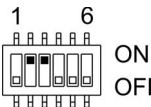
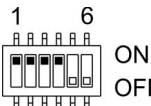
Setting	Switch				Solder pad		ID
	1	2	3	4	JP301	JP302	
 ON OFF	0	0	0	0	0	0	–
 ON OFF	1	0	0	0	0	0	1
 ON OFF	0	1	0	0	0	0	2
 ON OFF	0	0	1	0	0	0	4
 ON OFF	1	0	1	0	0	0	5
 ON OFF	0	0	0	1	0	0	8
 ON OFF JP301 closed	0	0	0	0	1	0	16
 ON OFF JP302 closed	0	1	1	1	0	1	30
 ON OFF JP301 ON JP302 closed	0	1	1	0	1	1	54
 ON OFF JP301 ON JP302 closed	1	1	1	1	1	1	63
0 = Switch "OFF" / solder pad "open" 1 = Switch "ON" / solder pad "shorted"							

Table 3-75 DIP switch SW1 – Examples

3.5.2 CAN automatic Bit Rate Detection

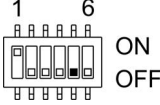
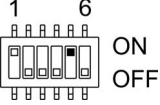
Switch	OFF	ON
5	 <p>Automatic bit rate detection deactivated (factory setting, default 1 Mbit/s)</p>	 <p>Automatic bit rate detection activated</p>

Table 3-76 DIP switch SW1 – CAN automatic bit rate detection

3.5.3 CAN Bus Termination

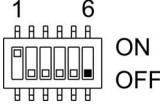
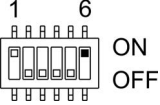
Switch	OFF	ON
6	 <p>Without bus termination (factory setting)</p>	 <p>Bus termination with 120 Ω</p>

Table 3-77 DIP switch SW1 – CAN bus termination

3.6 Status Indicators

The EPOS4 features three sets of LED indicators to display the device condition.

- A NET Status**; the LEDs display communication RUN states and errors conditions
- B Device Status**; the LEDs display the device's operation status and error conditions
- C NET Port**; the LED displays the NET link activity

For detailed information see separate document →«EPOS4 Firmware Specification».

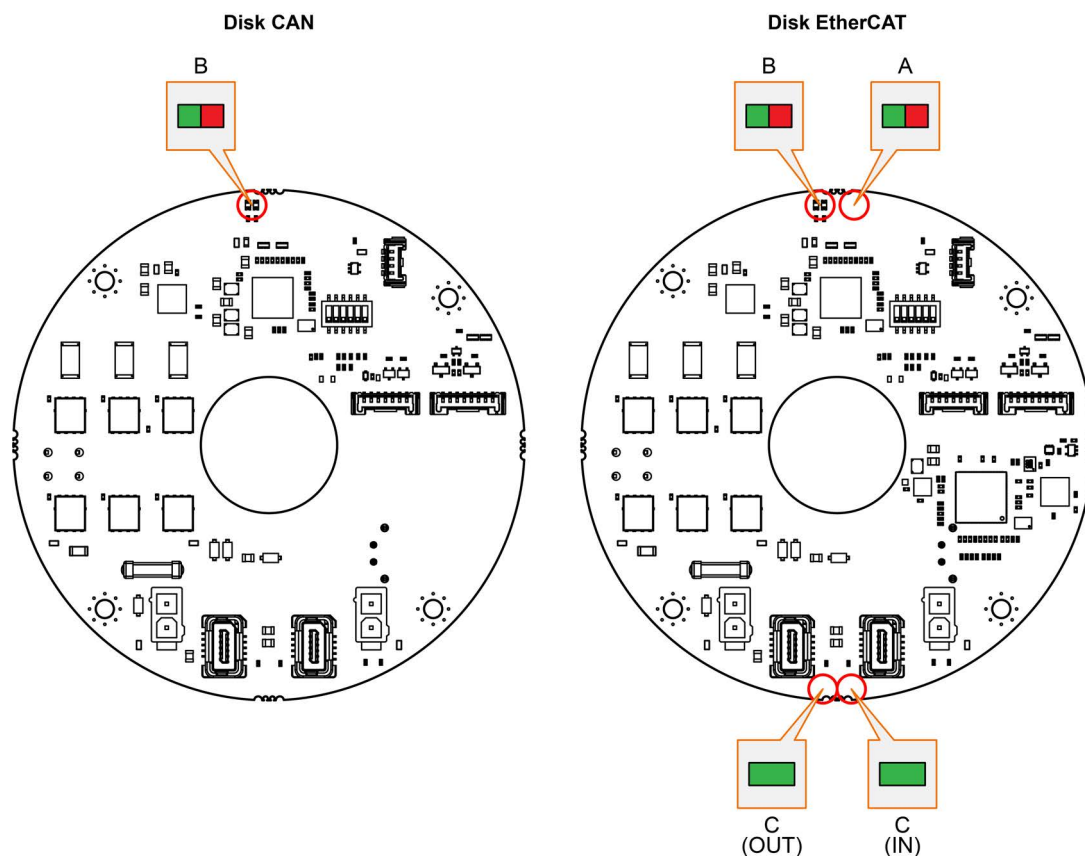


Figure 3-40 LEDs – Location

3.6.1 NET Status

The LEDs (→Figure 3-40; **A**) display the actual status and possible errors of the EPOS4 in respect to the NET network:

- Green LED shows the RUN state
- Red LED indicates errors

LED		Description
Green	Red	
OFF	—	EPOS4 is in state INIT
Blink	—	EPOS4 is in state PRE-OPERATIONAL
Single flash	—	EPOS4 is in state SAFE-OPERATIONAL
ON	—	EPOS4 is in state OPERATIONAL
Flicker	—	EPOS4 is in state BOOTSTRAP
—	OFF	EPOS4 is in operating condition
—	Double flash	An application watchdog timeout has occurred <i>Example: Timeout of Sync Manager Watchdog</i>
—	Single flash	EPOS4 has changed the COM state due to an internal error <i>Example: Change of state “Op” to “SafeOpError” due to Sync Error</i>
—	Blink	General Configuration Error <i>Example: State change commanded by master is not possible due to actual settings (register, object, hardware configuration)</i>
Blink = continuous blinking (≈2.5 Hz) Flash = flashing (≈0.2 s), followed by pause of 1 s Flicker = continuous flickering (≈10 Hz)		

Table 3-78 NET Status LEDs

3.6.2 Device Status

The LEDs (→Figure 3-40; **B**) display the actual status and possible errors of the EPOS4:

- Green LED shows the status
- Red LED indicates errors

LED		Description
Green	Red	
Slow	OFF	Power stage is disabled. The EPOS4 is in status... • “Switch ON Disabled” • “Ready to Switch ON” • “Switched ON”
ON	OFF	Power stage is enabled. The EPOS4 is in status... • “Operation Enable” • “Quick Stop Active”
OFF	ON	FAULT state. The EPOS4 is in status... • “Fault”
ON	ON	Power stage is enabled. The EPOS4 is in temporary status... • “Fault Reaction Active”
Flash	ON	No valid firmware or firmware download in progress
Flash = flashing (≈0.9 s OFF/≈0.1 s ON) Slow = slow blinking (≈1 Hz)		

Table 3-79 Device Status LEDs

3.6.3 NET Port

The LED (→Figure 3-40; **C**) displays the link activity of the NET port (applies for both ports, X14 “IN” and X15 “OUT”):

- Green LED indicates link activity

LED Green	Description
OFF	Port is closed
Flicker	Port is open / activity is present
ON	Port is open
—	Data rate is 100 Mbit/s
Flicker = continuous flickering (≈10 Hz)	

Table 3-80 NET Port LED

••page intentionally left blank••

4 WIRING

In this section you will find the wiring information for the setup you are using. You can either use the consolidated wiring diagrams (→ Figure 4-43 and Figure 4-44) featuring the full scope of interconnectivity and pin assignment. Or you may wish to use the connection overviews for either DC motor or EC (BLDC) motor that will assist you in determining the wiring for your particular motor type and the appropriate feedback signals.

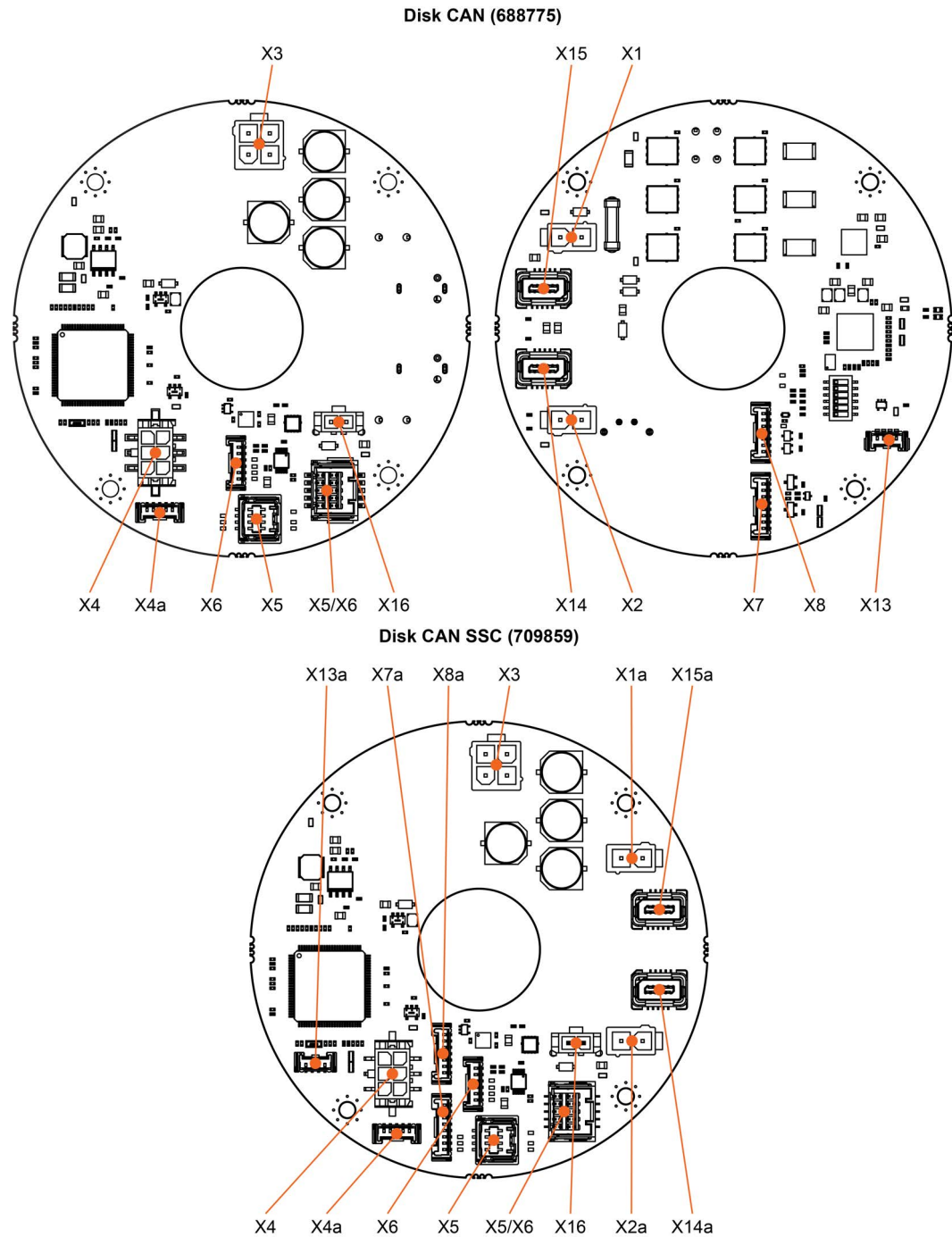


Figure 4-41 Interfaces – Designations and locations on Disk CAN

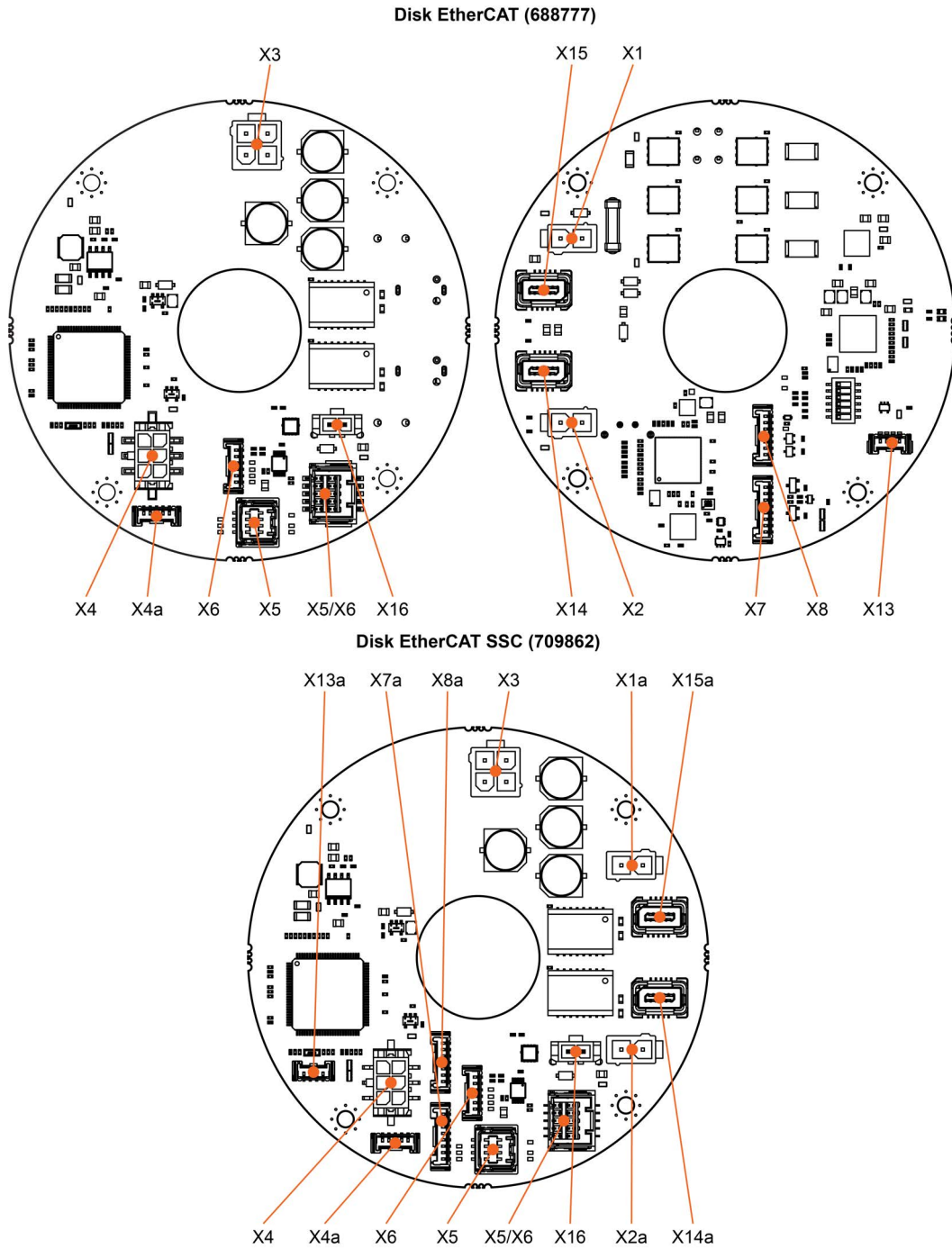
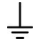


Figure 4-42 Interfaces – Designations and locations on Disk EtherCAT



Signs and abbreviations used

The subsequent diagrams feature these signs and abbreviations:

- «EC Motor» stands for brushless EC motor (BLDC).
-  Ground safety earth connection (optional).

4.1 Possible Combinations to connect a Motor

The following tables show feasible ways on how to connect the motor with its respective feedback signals or possible combinations thereof. To find the wiring that best suits your setup, proceed as follows:

- 1) Decide on the type of motor you are using; either DC or EC (BLDC) motor.
- 2) Connect the power supply and the logic supply by following the link to the stated figure.
- 3) Check-out the listing for the combination that best suits your setup. Pick the wiring method # and go to the respective table; for DC motor → Table 4-81, for EC (BLDC) motor → Table 4-82.
- 4) Pick the row with the corresponding wiring method # and follow the link (or links) to the stated figure(s) to find the relevant wiring information.

4.1.1 DC Motor

Power supply & optional logic supply Figure 4-45

Motor & feedback signals

Without sensor Method # DC1
 Digital incremental encoder Method # DC2
 SSI absolute encoder Method # DC3
 Digital incremental encoder & SSI absolute encoder Method # DC4



Use of alternative connection

Depending on the actual type of the encoder(s), either connectors «X5» and «X6», or alternatively «X5/X6» may be used.

Method #	Digital Incremental Encoder (Sensor 1) X5 or X5/X6	SSI Absolute Encoder (Sensor 2) X6 or X5/X6	➔ Figure(s)
DC1			4-46
DC2	✓		4-46 4-49
DC3		✓	4-46 4-50
DC4	✓	✓	4-46 4-49 / 4-50

Table 4-81 Possible combinations of feedback signals for DC motor

4.1.2 EC (BLDC) Motor

Power supply & optional logic supply Figure 4-45

Motor & feedback signals

Hall sensors Method # EC1

Hall sensors & Digital incremental encoder Method # EC2

Hall sensors & SSI absolute encoder Method # EC3

Hall sensors & Digital incremental encoder & SSI absolute encoder Method # EC4

SSI absolute encoder Method # EC5



Use of alternative connection

Depending on the actual type of the encoder(s), either connectors «X5» and «X6», or alternatively «X5/X6» may be used.

Method #	Hall sensors (Sensor 3) X4	Digital Incremental Encoder (Sensor 1) X5	SSI Absolute Encoder (Sensor 2) X6	→ Figure(s)
EC1	✓			4-47 4-48
EC2	✓	✓		4-47 4-48 / 4-49 (or 4-51)
EC3	✓		✓	4-47 4-48 / 4-50 (or 4-52)
EC4	✓	✓	✓	4-47 4-48 / 4-49 / 4-50 (or 4-52)
EC5			✓	4-47 4-50 (or 4-52)

Table 4-82 Possible combinations of feedback signals for EC (BLDC) motor

4.2 Main Wiring Diagrams

EPOS4 Disk 60/12 CAN

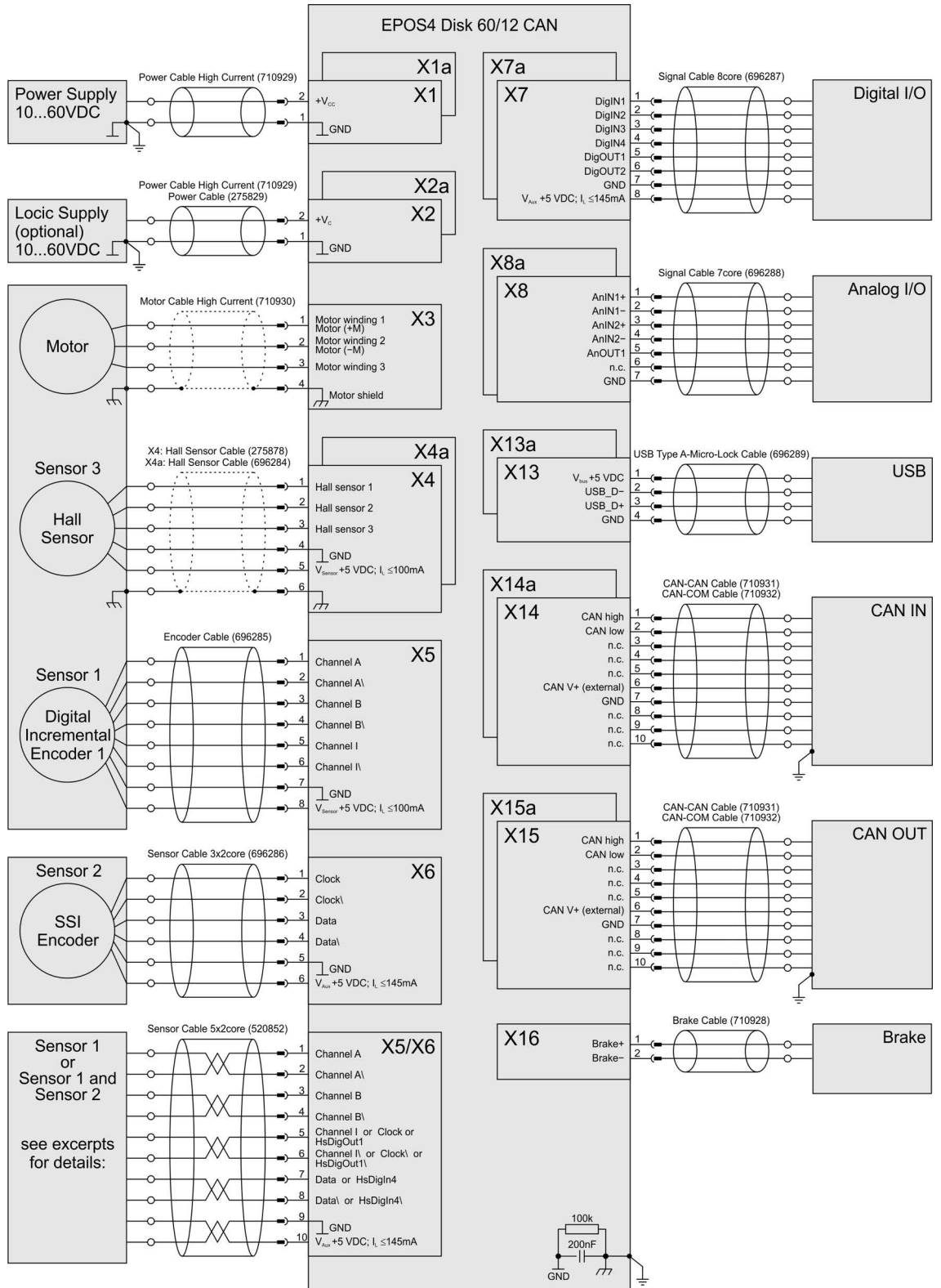


Figure 4-43 EPOS4 Disk 60/12 CAN – Main wiring diagram

EPOS4 Disk 60/12 EtherCAT

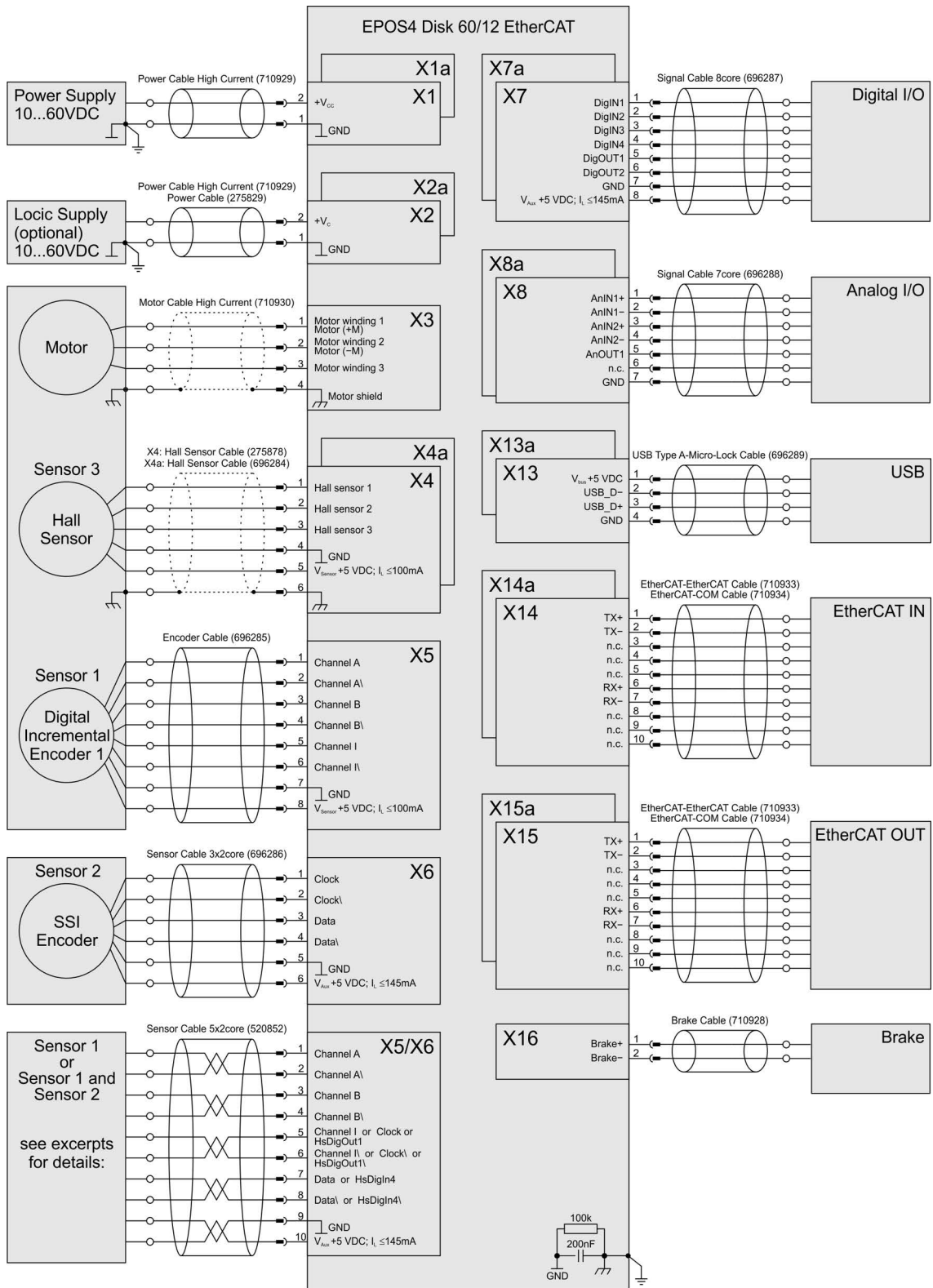


Figure 4-44 EPOS4 Disk 60/12 EtherCAT – Main wiring diagram

4.3 Excerpts

4.3.1 Power & Logic Supply

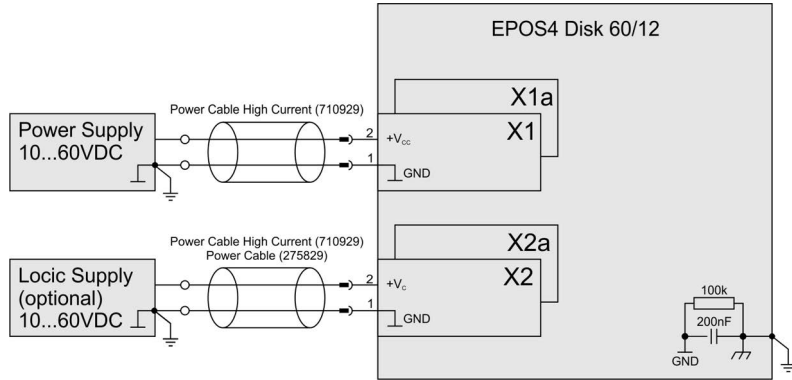


Figure 4-45 Power & logic supply

4.3.2 DC Motor

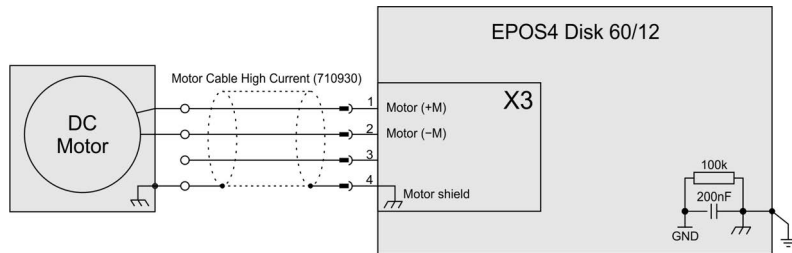


Figure 4-46 DC motor

4.3.3 EC (BLDC) Motor

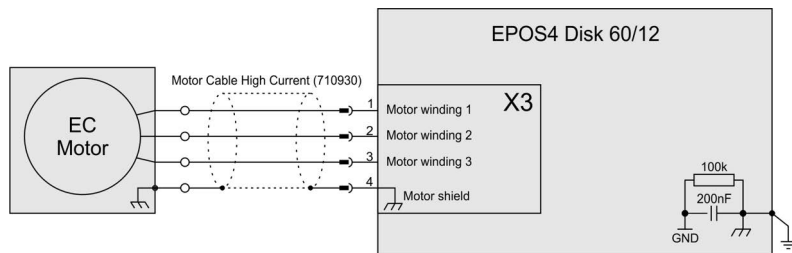


Figure 4-47 EC (BLDC) motor

4.3.4 Hall Sensors (Sensor 3)

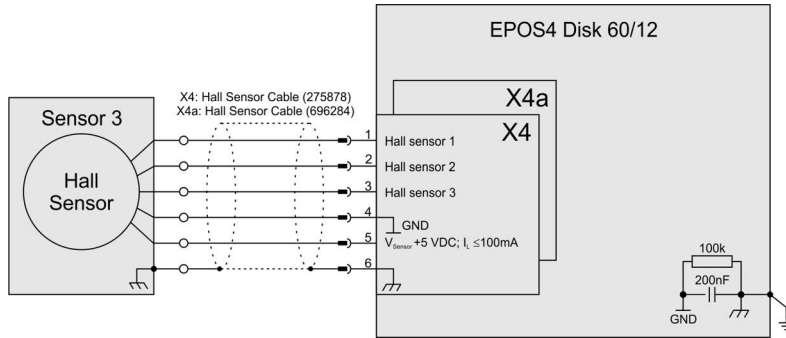


Figure 4-48 Hall sensors (Sensor 3)

4.3.5 Digital Incremental Encoder (Sensor 1) on X5

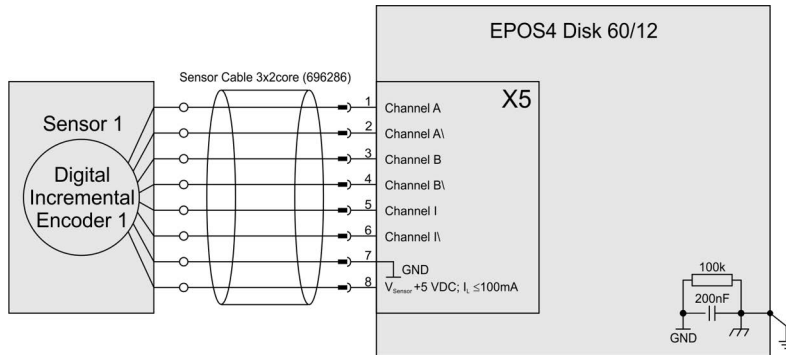


Figure 4-49 Digital incremental encoder (Sensor 1) on X5

4.3.6 SSI Encoder (Sensor 2) on X6

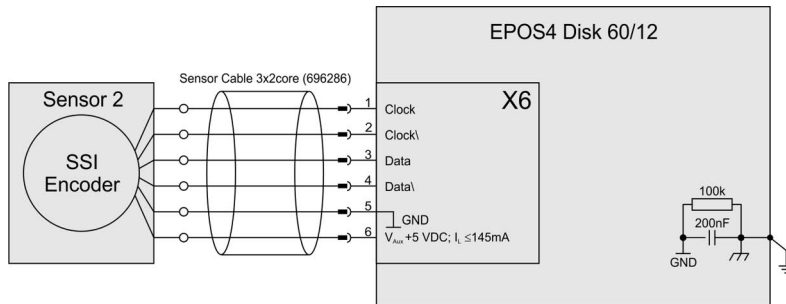
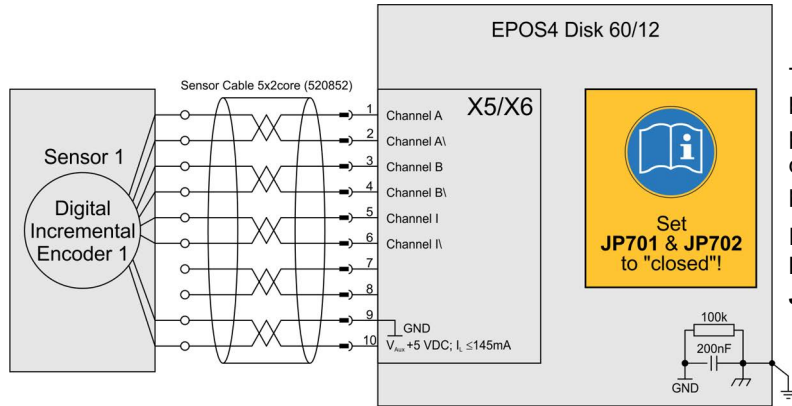


Figure 4-50 SSI encoder (Sensor 2) on X6

4.3.7 Digital Incremental Encoder (Sensor 1) on X5/X6

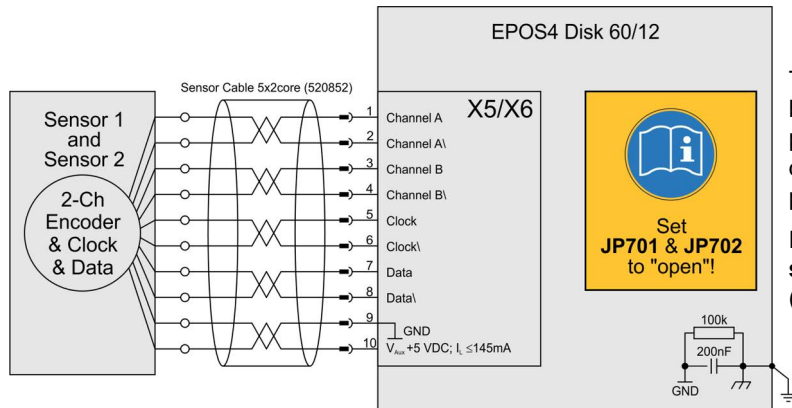


The combo connector X5/X6 can be configured using the solder pads JP701 and JP702 (for details see →Figure 3-19 on page 3-32).

For this setup, **short-circuit both solder pads JP701 and JP702.**

Figure 4-51 Digital incremental encoder (Sensor 1) on X5/X6

4.3.8 Digital Incremental Encoder (Sensor 1) and SSI Encoder (Sensor 2) on X5/X6



The combo connector X5/X6 can be configured using the solder pads JP701 and JP702 (for details see →Figure 3-19 on page 3-32).

For this setup, **leave open both solder pads JP701 and JP702** (default factory setting).

Figure 4-52 Digital incremental encoder (Sensor 1) and SSI encoder (Sensor 2) on X5/X6

••page intentionally left blank••

LIST OF FIGURES

Figure 1-1	Documentation structure	5
Figure 2-2	Derating of output current	13
Figure 2-3	Power dissipation and efficiency	14
Figure 2-4	EPOS4 Disk 60/12 CAN (688775) – Dimensional drawing [mm]	15
Figure 2-5	EPOS4 Disk 60/12 CAN SSC (709859) – Dimensional drawing [mm]	15
Figure 2-6	EPOS4 Disk 60/12 EtherCAT (688777) – Dimensional drawing [mm]	16
Figure 2-7	EPOS4 Disk 60/12 EtherCAT SSC (709862) – Dimensional drawing [mm]	16
Figure 3-8	EPOS4 Disk 60/12 CAN (688775) – Connectors	22
Figure 3-9	EPOS4 Disk 60/12 CAN SSC (709859) – Connectors	23
Figure 3-10	EPOS4 Disk 60/12 EtherCAT (688777) – Connectors	24
Figure 3-11	EPOS4 Disk 60/12 EtherCAT SSC (709862) – Connectors	25
Figure 3-12	Power supply connector X1 or X1a	26
Figure 3-13	Logic supply connector X2 or X2a	28
Figure 3-14	Motor connector X3	29
Figure 3-15	Hall sensor connector X4	30
Figure 3-16	Hall sensor connector X4a	30
Figure 3-17	Hall sensor 1 input circuit (analogously valid for Hall sensors 2 & 3 and X4a)	31
Figure 3-18	Encoder/Sensor combo connector X5/X6	32
Figure 3-19	Solder pads JP701, JP702 – Location	32
Figure 3-20	Encoder connector X5	34
Figure 3-21	Encoder input circuit Ch A “differential” (analogously valid for Ch B, Ch I, and X5/X6)	35
Figure 3-22	Encoder input circuit Ch A “single-ended” (analogously valid for Ch B, Ch I, and X5/X6)	36
Figure 3-23	Sensor connector X6	37
Figure 3-24	SSI absolute encoder data input (analogously valid for HsDigIn4 and X5/X6)	38
Figure 3-25	SSI absolute encoder clock output (analogously valid for HsDigOut1 and X5/X6)	38
Figure 3-26	Digital I/O connector X7 or X7a	39
Figure 3-27	DigIN1 circuit (analogously valid for DigIN2...4 and X7a)	40
Figure 3-28	DigOUT1 circuit (analogously valid for DigOUT2 and X7a)	40
Figure 3-29	DigOUT1 “sinks” (analogously valid for DigOUT2 and X7a)	41
Figure 3-30	DigOUT1 “source” (analogously valid for DigOUT2 and X7a)	41
Figure 3-31	Analog I/O connector X8 or X8a	42
Figure 3-32	AnIN1 circuit (analogously valid for AnIN2 and X8a)	43
Figure 3-33	AnOUT1 circuit (analogously valid for X8a)	43
Figure 3-34	USB connector X13 or X13a	44
Figure 3-35	CAN 1 connector X14 or X14a / CAN 2 connector X15 or X15a	45
Figure 3-36	EtherCAT IN connector X14 or X14a / EtherCAT OUT connector X15 or X15a	47
Figure 3-37	Brake connector X16	48
Figure 3-38	HsDigOut 2 (Holding Brake only) circuit	48
Figure 3-39	DIP switch SW1 and solder pads – Location	56
Figure 3-40	LEDs – Location	59
Figure 4-41	Interfaces – Designations and locations on Disk CAN	63

Figure 4-42	Interfaces – Designations and locations on Disk EtherCAT	64
Figure 4-43	EPOS4 Disk 60/12 CAN – Main wiring diagram	67
Figure 4-44	EPOS4 Disk 60/12 EtherCAT – Main wiring diagram	68
Figure 4-45	Power & logic supply	69
Figure 4-46	DC motor	69
Figure 4-47	EC (BLDC) motor	69
Figure 4-48	Hall sensors (Sensor 3)	70
Figure 4-49	Digital incremental encoder (Sensor 1) on X5	70
Figure 4-50	SSI encoder (Sensor 2) on X6	70
Figure 4-51	Digital incremental encoder (Sensor 1) on X5/X6	71
Figure 4-52	Digital incremental encoder (Sensor 1) and SSI encoder (Sensor 2) on X5/X6	71

LIST OF TABLES

Table 1-1	Notation used	6
Table 1-2	Symbols and signs	6
Table 1-3	Brand names and trademark owners	7
Table 1-4	Available versions and variants	8
Table 1-5	Abbreviations.	8
Table 2-6	Technical data	12
Table 2-7	Limitations	14
Table 2-8	Standards	17
Table 3-9	Prefab maxon cables.	20
Table 3-10	EPOS4 Disk Connector Set – Content	21
Table 3-11	EPOS4 Disk Communication Plugs	21
Table 3-12	Recommended tools	21
Table 3-13	Power supply connector X1 or X1a – Pin assignment	26
Table 3-14	Power supply connector X1 or X1a – Specifications.	26
Table 3-15	Power supply requirements.	27
Table 3-16	Logic supply connector X2 or X2a – Pin assignment	28
Table 3-17	Logic supply connector X2 or X2a – Specifications	28
Table 3-18	Logic supply requirements	28
Table 3-19	Motor connector X3 – Pin assignment for maxon DC motor.	29
Table 3-20	Motor connector X3 – Pin assignment for maxon EC motor.	29
Table 3-21	Motor connector X3 – Specifications.	29
Table 3-22	Hall sensor connector X4 – Pin assignment	30
Table 3-23	Hall sensor connector X4 – Specifications	30
Table 3-24	Hall sensor connector X4a – Pin assignment	30
Table 3-25	Hall sensor connector X4a – Specifications	31
Table 3-26	Hall sensor specification	31
Table 3-27	Encoder/Sensor combo connector X5/X6 (solder pads “open”) – Pin assignment	33
Table 3-28	Encoder/Sensor combo connector X5/X6 (solder pads “closed”) – Pin assignment.	33
Table 3-29	Encoder/Sensor combo connector X5/X6 – Specifications.	33
Table 3-30	Encoder connector X5 – Pin assignment	34
Table 3-31	Encoder connector X5 – Specifications.	34
Table 3-32	Differential encoder specification	35
Table 3-33	Single-ended encoder specification	36
Table 3-34	Sensor connector X6 – Pin assignment	37
Table 3-35	Sensor connector X6 – Specifications.	37
Table 3-36	SSI absolute encoder specification	38
Table 3-37	Digital I/O connector X7 or X7a – Pin assignment	39
Table 3-38	Digital I/O connector X7 or X7a – Specifications.	39
Table 3-39	Digital input 1...4 specification	40
Table 3-40	Digital output specification.	40
Table 3-41	Digital output 1 & 2 specification – Sinks	41

Table 3-42	Digital output 1 & 2 specification – Source	41
Table 3-43	Analog I/O connector X8 or X8a – Pin assignment	42
Table 3-44	Analog I/O connector X8 or X8a – Specifications	42
Table 3-45	Analog input specification	43
Table 3-46	Analog output specification	43
Table 3-47	USB connector X13 or X13a – Pin assignment	44
Table 3-48	USB connector X13 or X13a – Specifications	44
Table 3-49	USB interface specification	44
Table 3-50	CAN 1 connector X14 or X14a / CAN 2 connector X15 or X15a – Pin assignment	45
Table 3-51	CAN 1 connector X14 or X14a / CAN 2 connector X15 or X15a – Specifications	45
Table 3-52	CAN interface specification	46
Table 3-53	EtherCAT IN connector X14 or X14a / EtherCAT OUT connector X15 or X15a – Pin assignment	47
Table 3-54	EtherCAT IN connector X14 or X14a / EtherCAT OUT connector X15 or X15a – Specifications	47
Table 3-55	Brake connector X16 – Pin assignment	48
Table 3-56	Brake connector X16 – Specifications	48
Table 3-57	Brake output specification	48
Table 3-58	Power Cable High Current	49
Table 3-59	Power Cable	49
Table 3-60	Motor Cable High Current	50
Table 3-61	Hall Sensor Cable	50
Table 3-62	Hall Sensor Cable	50
Table 3-63	Sensor Cable 5x2core	51
Table 3-64	Encoder Cable	51
Table 3-65	Sensor Cable 3x2core	51
Table 3-66	Signal Cable 8core	52
Table 3-67	Signal Cable 7core	52
Table 3-68	USB Type A-Micro-Lock Cable	52
Table 3-69	CAN-CAN Cable	53
Table 3-70	CAN-COM Cable	53
Table 3-71	EtherCAT-EtherCAT Cable	54
Table 3-72	EtherCAT-COM Cable	54
Table 3-73	Brake Cable	55
Table 3-74	DIP switch SW1 – Binary code values	56
Table 3-75	DIP switch SW1 – Examples	57
Table 3-76	DIP switch SW1 – CAN automatic bit rate detection	58
Table 3-77	DIP switch SW1 – CAN bus termination	58
Table 3-78	NET Status LEDs	60
Table 3-79	Device Status LEDs	60
Table 3-80	NET Port LED	61
Table 4-81	Possible combinations of feedback signals for DC motor	65
Table 4-82	Possible combinations of feedback signals for EC (BLDC) motor	66

INDEX

A

abbreviations used 8
 alerts 6
 analog inputs 43
 analog outputs 43
 applicable EU directive 19
 applicable regulations 9

B

bit rate detection 58
 bit rate, default 46

C

cables (prefab)
 Brake Cable 55
 CAN-CAN Cable 53
 CAN-COM Cable 53
 Encoder Cable 51
 EtherCAT-COM Cable 54
 EtherCAT-EtherCAT Cable 54
 Hall Sensor Cable 50
 Motor Cable High Current 50
 Power Cable 49
 Power Cable High Current 49
 Sensor Cable 3x2core 51
 Sensor Cable 5x2core 51
 Signal Cable 7core 52
 Signal Cable 8core 52
 USB Type A - Micro-Lock Cable 52
 CAN bus termination 46, 58
 CAN ID (see "ID")
 CAN interface 46
 connectors
 X1, X1a 26
 X13, X13a 44
 X14, X14a (CAN) 45
 X14, X14a (EtherCAT) 47
 X15, X15a (CAN) 45
 X15, X15a (EtherCAT) 47
 X16 48
 X2, X2a 28
 X3 29
 X4, X4a 30
 X5 34
 X5/X6 32
 X6 37
 X7, X7a 39
 X8, X8a 42
 country-specific regulations 9

D

DEV ID (see "ID")
 device condition, display of 59
 digital outputs 40
 DIP switch SW1 56

E

encoder (differential) 35
 encoder (single-ended) 36
 encoders
 absolute 38
 serial 38
 EnDat encoder, wiring 70
 EPOS4 Disk Communication Plugs 21
 EPOS4 Disk Connector Set 21
 ESD 9
 EU directive, applicable 19

H

Hall sensor 31
 how to
 calculate the required supply voltage 27
 interpret icons (and signs) used in this document 6

I

ID (of the device) 56
 incorporation into surrounding system 19
 inforamatory signs 6
 inputs
 analog 43
 digital 40
 interfaces
 CAN 45
 location and designation 63, 64
 USB 44

J

JP301, JP302 56
 JP701, JP702 32

L

LEDs, interpretation of 59

M

mandatory action signs 6
 motor types, supported 8

N

naming of components 8
 node address (see "ID")
 Node-ID (see "ID")
 notations used 6

O

operating license 19
 outputs
 analog 43
 digital 40, 41

P

part numbers
 275829 49

275878 50
520852 51
688775 8
688777 8
696284 50
696285 51
696286 51
696287 52
696288 52
696289 52
709859 8
709862 8
710926 21
710928 55
710929 49
710930 50
710931 53
710932 53
710933 54
710934 54
748166 21
751388 21

performance data 11

precautions 9

prerequisites prior installation 19

prohibitive signs 6

protective measures (ESD) 9

purpose

of the device 8

of the document 5

R

regulations, applicable 9

S

safety alerts 6

safety first! 9

signs used 6

solder pads

JP301, JP302 56

JP701, JP702 32

SSI encoder

specification 38

wiring 70

standards, fulfilled 17

status LEDs 59

supply voltage, required 27

SW1 56

switch SW1 56

symbols used 6

T

technical data 11

termination (CAN bus) 46, 58

U

USB port 44

V

versions and variants 8

W

wiring examples

digital incremental encoder 70, 71

EC (BLDC) motor 69

Hall sensors 70

power & logic supply 69

SSI encoder 70

••page intentionally left blank••



EtherCAT® is a registered trademark and patented technology, licensed by Beckhoff Automation GmbH, Germany

© 2023 maxon. All rights reserved. Any use, in particular reproduction, editing, translation, and copying, without prior written approval is not permitted (contact: maxon international ltd., Brünigstrasse 220, CH-6072 Sachseln, +41 41 666 15 00, www.maxongroup.com). Infringements will be prosecuted under civil and criminal law. The mentioned trademarks belong to their respective owners and are protected under trademark laws. Subject to change without prior notice.